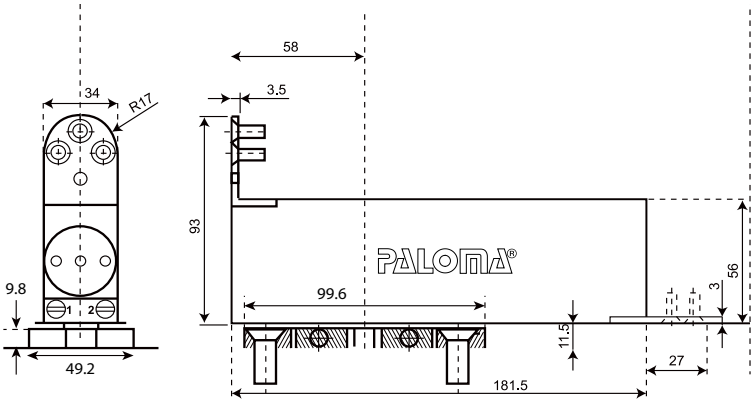


PALOMA[®]
ITALY



**INVISIBLE
SERIES**

STRONG PRECISE CONSTRUCTION





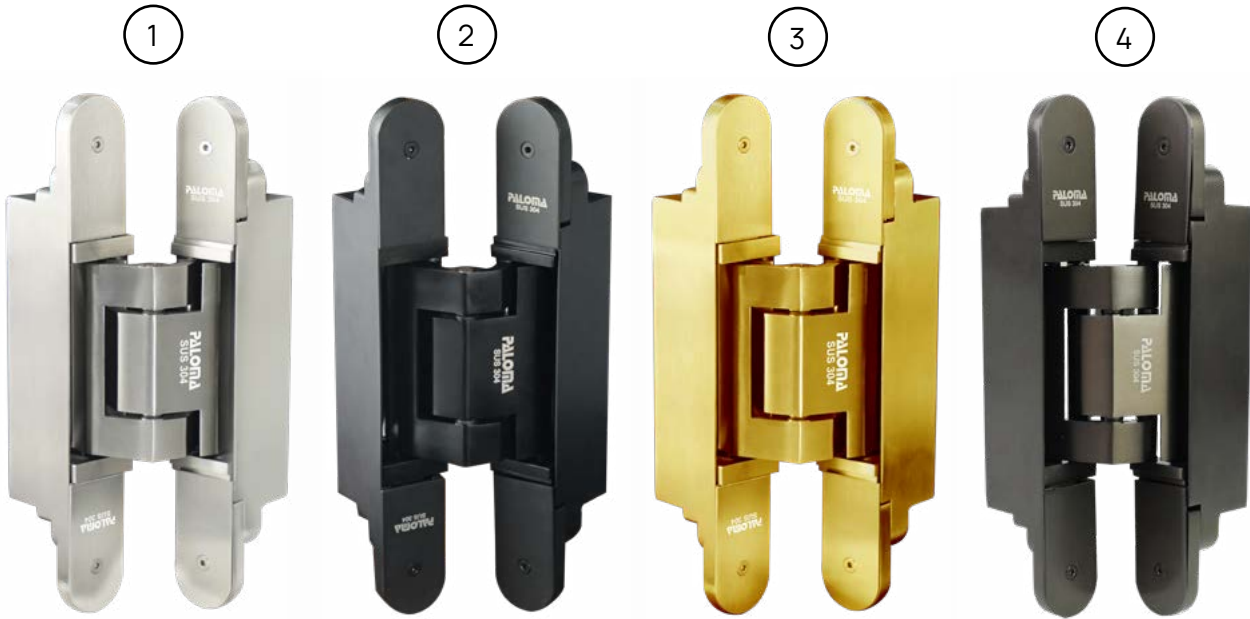
INVISIBLE HINGE



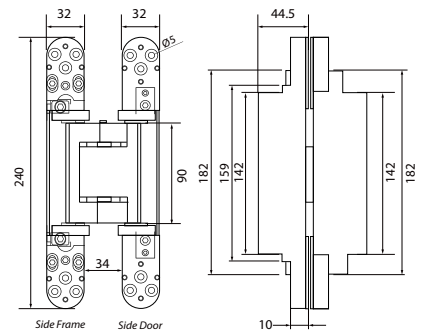




INVISIBLE HINGE P200N



No.	Code	FINISHING
1.	IHP 331	SSS
2.	IHP 332	SATIN BLACK
3.	IHP 333	SATIN GOLD
4.	IHP 334	GUNMETAL



Max Door Weight : 200 kg / 2 pcs
 240kg / 3 pcs

Max Door Width : 960 mm

Max Door Opening : 180°

Door Thickness : 45 mm - 60 mm



SUITABLE FOR
 ALUMINIUM,
 WOOD OR METAL
 DOORS & FRAMES

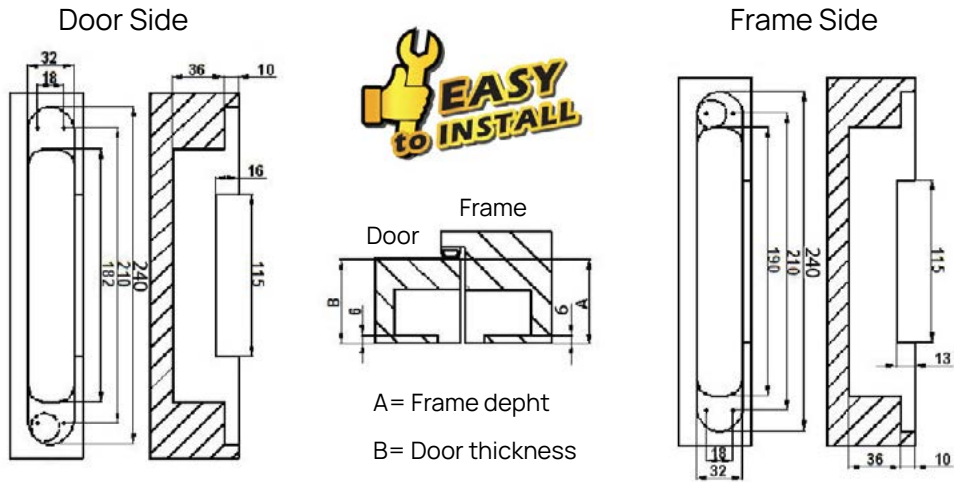
FEATURES

- Full stainless steel SUS 304 material
- Rust & corrosion resistant
- Strong precise construction
- Ultra heavy duty
- 25 years mechanical warranty

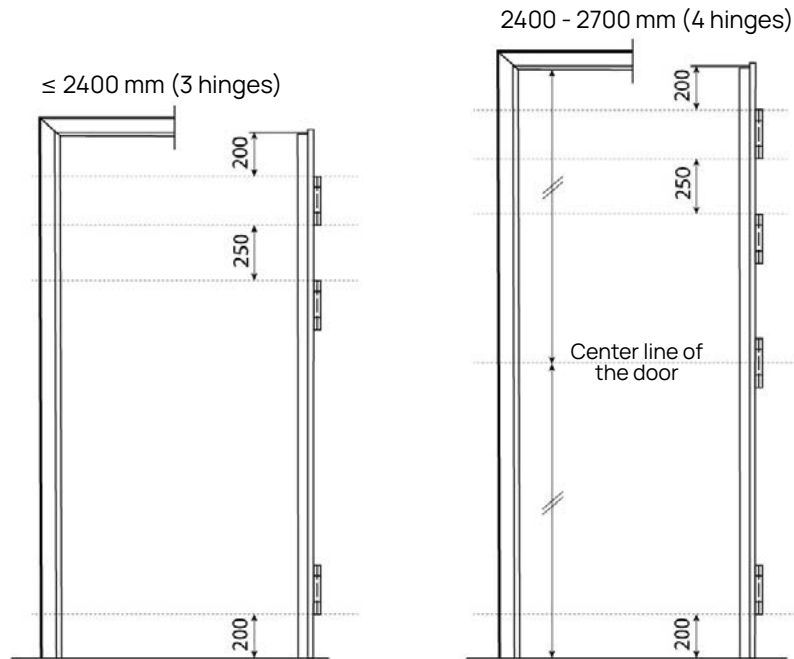
Posisi pintu dapat diatur:

- Atas - bawah ± 3 mm (total 6 mm)
- Kanan - kiri ± 2 mm (total 4 mm)
- Maju - mundur ± 2 mm (total 4 mm)

TEMPLATE DRILL (mm)



APPLICATION BASED ON DOOR HEIGHT



Engsel ke 3 menambah 25% berat kapasitas 2 engsel.

Engsel ke 4 menambah 20% dari total kapasitas 2 engsel.

Contoh: Penggunaan engsel 200 kg per pair

2 engsel: 200 kg

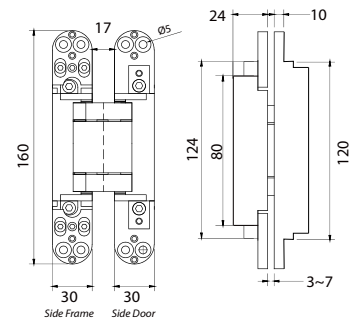
3 engsel: 200 kg + 50 kg = 250 kg

4 engsel: 200 kg + 50 kg + 40 kg = 290 kg

INVISIBLE HINGE P100



No.	Code	FINISHING
1.	IHP 311	SSS
2.	IHP 312	SATIN BLACK
3.	IHP 313	PVD SATIN GOLD



Max Door Weight : 100 kg / 2 pcs
 Max Door Width : 900 mm
 Max Door Height : 2400 mm (3 pcs)
 2700 mm (4 pcs)
 Max Door Opening : 165°
 Door Thickness : 40 mm - 50 mm



SUITABLE FOR ALUMINIUM, WOOD OR METAL DOORS & FRAMES

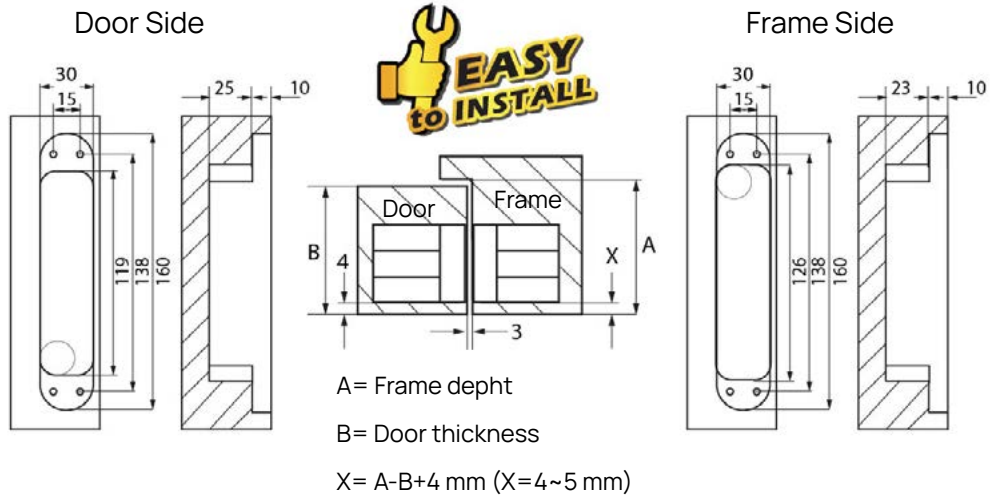
FEATURES

- Full stainless steel SUS 304 material
- Rust & corrosion resistant
- Strong precise construction
- Ultra heavy duty
- 25 years mechanical warranty

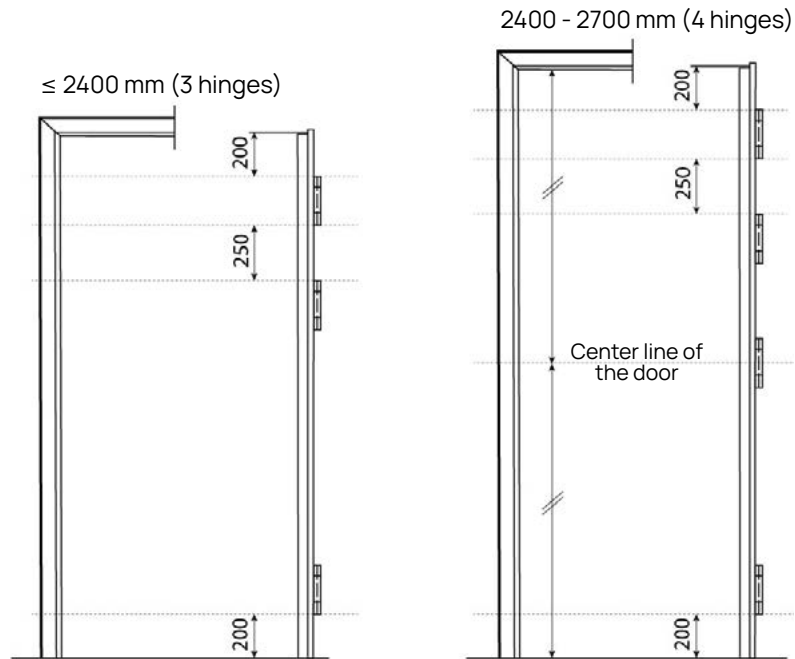
Posisi pintu dapat diatur:

- Atas - bawah ± 2.5 mm (total 5 mm)
- Kanan - kiri ± 2.5 mm (total 5 mm)
- Maju - mundur ± 1 mm (total 2 mm)

TEMPLATE DRILL (mm)



APPLICATION BASED ON DOOR HEIGHT



Engsel ke 3 menambah 25% berat kapasitas 2 engsel.

Engsel ke 4 menambah 20% dari total kapasitas 2 engsel.

Contoh: Penggunaan engsel 100 kg per pair

2 engsel: 100 kg

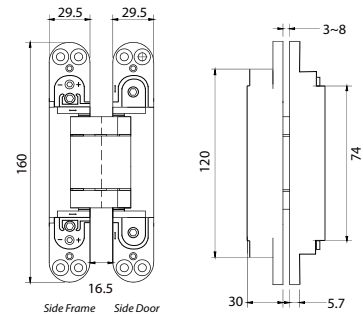
3 engsel: $100 \text{ kg} + 25 \text{ kg} = 125 \text{ kg}$

4 engsel: $100 \text{ kg} + 25 \text{ kg} + 20 \text{ kg} = 145 \text{ kg}$

INVISIBLE HINGE P100N



No.	Code	FINISHING
1.	IHP 321	SSS
2.	IHP 322	SATIN BLACK
3.	IHP 324	GUNMETAL



Max Door Weight : 100 kg / 2 pcs
 Max Door Width : 950 mm
 Max Door Height : 2400 mm (3 pcs)
 2800 mm (4 pcs)
 Max Door Opening : 180°
 Door Thickness : 38 mm - 55 mm



SUITABLE FOR
 ALUMINIUM,
 WOOD OR METAL
 DOORS & FRAMES

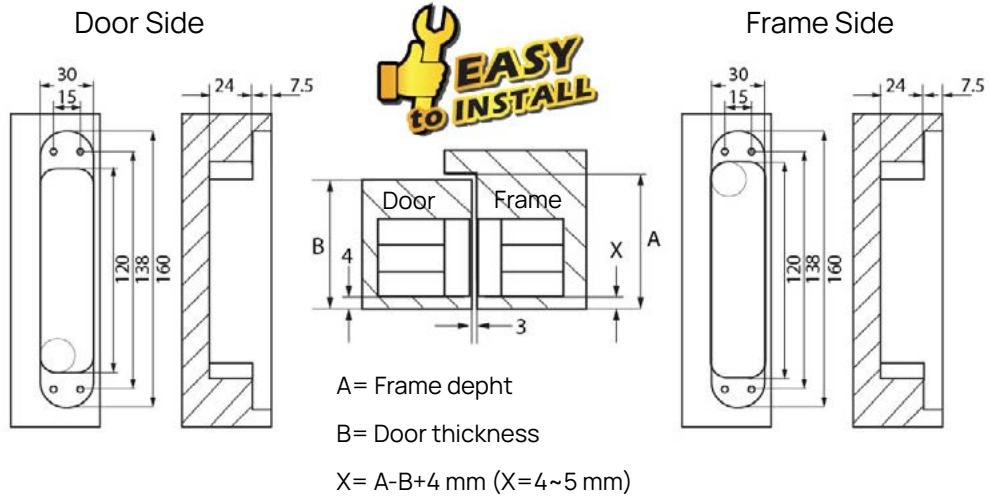
FEATURES

- Full stainless steel SUS 304 material
- Rust & corrosion resistant
- Strong precise construction
- Ultra heavy duty
- 25 years mechanical warranty

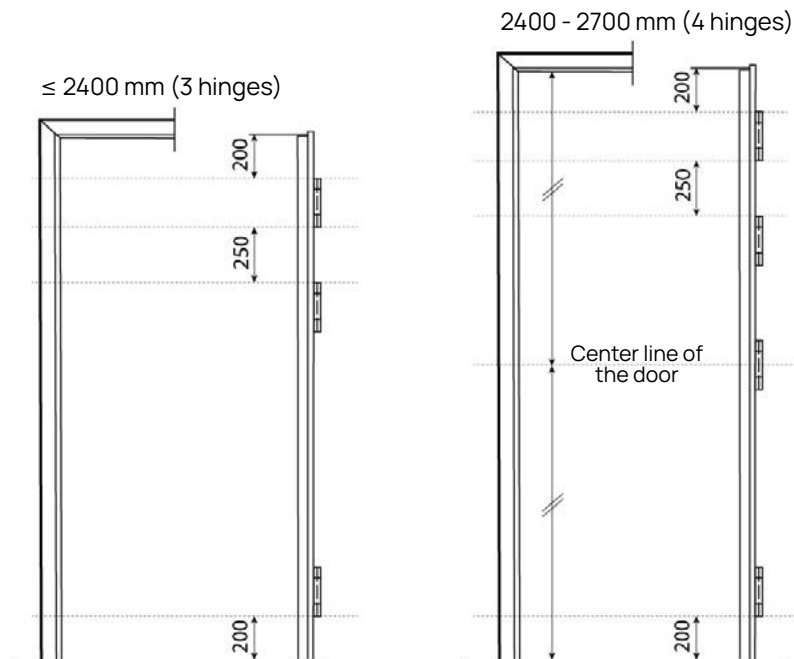
Posisi pintu dapat diatur:

- Atas - bawah ± 3 mm (total 6 mm)
- Kanan - kiri ± 1.5 mm (total 3 mm)
- Maju - mundur ± 1.5 mm (total 3 mm)

TEMPLATE DRILL (mm)



APPLICATION BASED ON DOOR HEIGHT



Engsel ke 3 menambah 25% berat kapasitas 2 engsel.

Engsel ke 4 menambah 20% dari total kapasitas 2 engsel.

Contoh: Penggunaan engsel 100 kg per pair

2 engsel: 100 kg

3 engsel: 100 kg + 25 kg = 125 kg

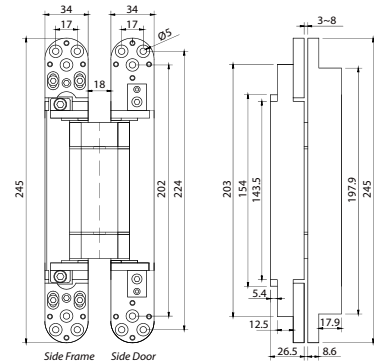
4 engsel: 100 kg + 25 kg + 20 kg = 145 kg

INVISIBLE HINGE P120



No.	Code	FINISHING
1.	IHP 803	NA
2.	IHP 806	MATTE BLACK
3.	IHP 809	MATTE WHITE

- Max Door Weight : 120 kg / 2 pcs
- Max Door Width : 1000 mm
- Max Door Height : 2100 mm (2 pcs)
2500 mm (3 pcs)
2800 mm (4 pcs)
- Max Door Opening : 180°
- Door Thickness : 42 mm - 60 mm



SUITABLE FOR ALUMINIUM, WOOD OR METAL DOORS & FRAMES

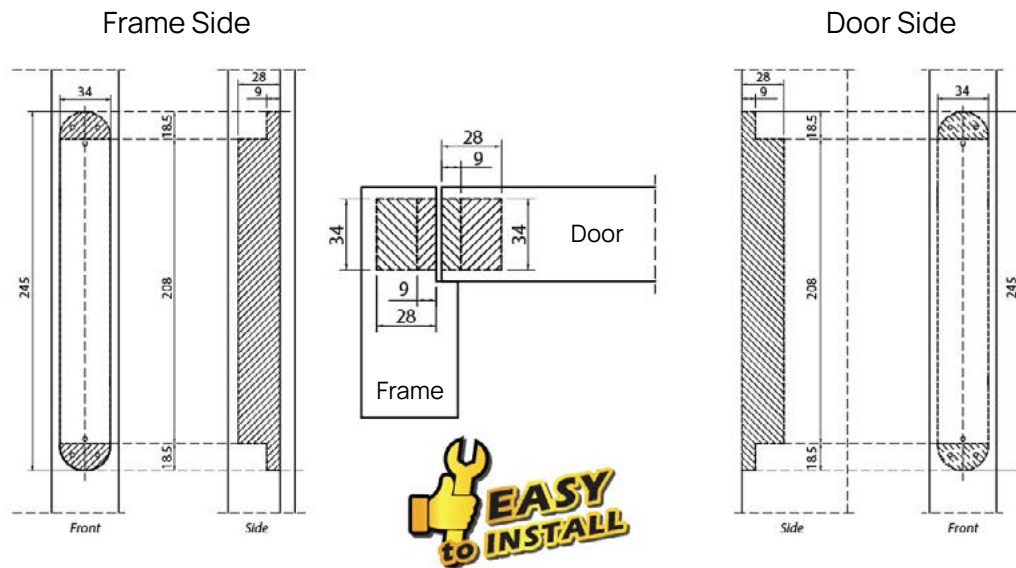
FEATURES

- SUPERALUM material
- Anti rust & corrosion
- Strong precise construction
- Heavy duty
- 10 years mechanical warranty

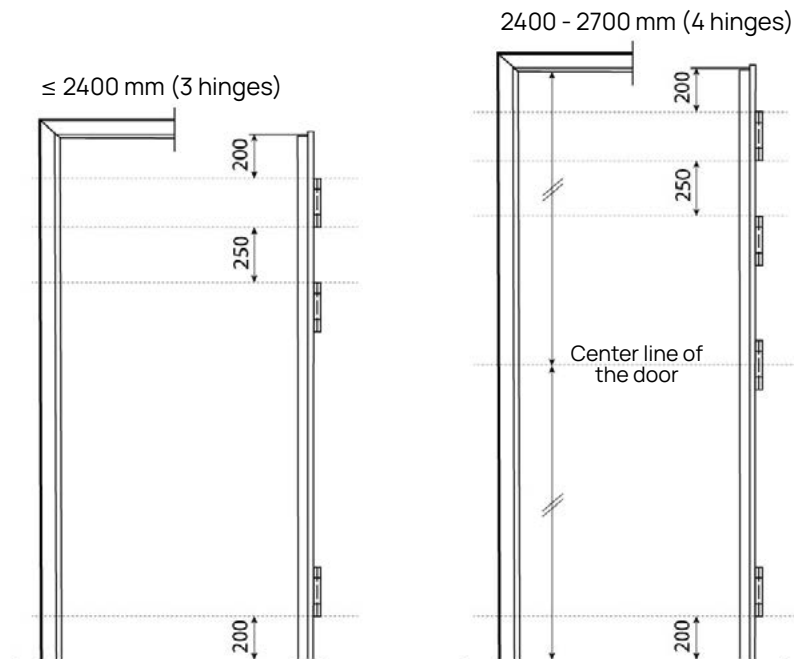
Posisi pintu dapat diatur:

- Atas - bawah ± 2.5 mm (total 5 mm)
- Kanan - kiri ± 1 mm (total 2 mm)
- Maju - mundur ± 1 mm (total 2 mm)

TEMPLATE DRILL (mm)



APPLICATION BASED ON DOOR HEIGHT



Engsel ke 3 menambah 25% berat kapasitas 2 engsel.

Engsel ke 4 menambah 20% dari total kapasitas 2 engsel.

Contoh: Penggunaan engsel 120 kg per pair

2 engsel: 120 kg

3 engsel: 120 kg + 30 kg = 150 kg

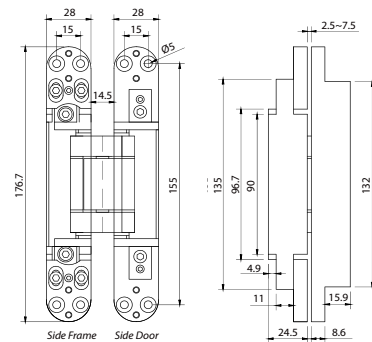
4 engsel: 120 kg + 30 kg + 24 kg = 174 kg

INVISIBLE HINGE P80



No.	Code	FINISHING
1.	IHP 802	NA
2.	IHP 805	MATTE BLACK
3.	IHP 808	MATTE WHITE

Max Door Weight : 80 kg / 2 pcs
 Max Door Width : 900 mm
 Max Door Height : 2100 mm (2 pcs)
 2500 mm (3 pcs)
 2800 mm (4 pcs)
 Max Door Opening : 180°
 Door Thickness : 36 mm - 50 mm



SUITABLE FOR
ALUMINIUM,
WOOD OR METAL
DOORS & FRAMES

FEATURES

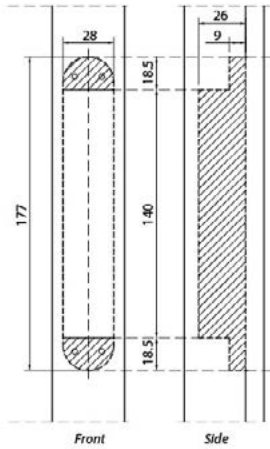
- SUPERALUM material
- Anti rust & corrosion
- Strong precise construction
- Heavy duty
- 10 years mechanical warranty

Posisi pintu dapat diatur:

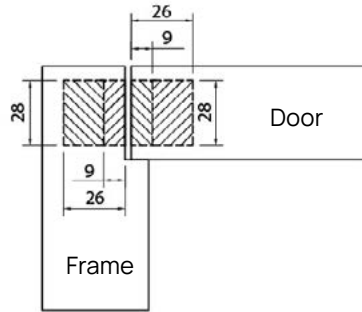
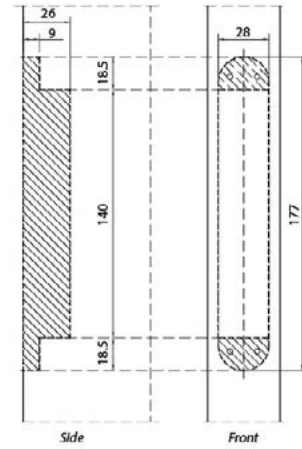
- Atas - bawah ± 2 mm (total 4 mm)
- Kanan - kiri ± 1.25 mm (total 2.5 mm)
- Maju - mundur ± 1 mm (total 2 mm)

TEMPLATE DRILL (mm)

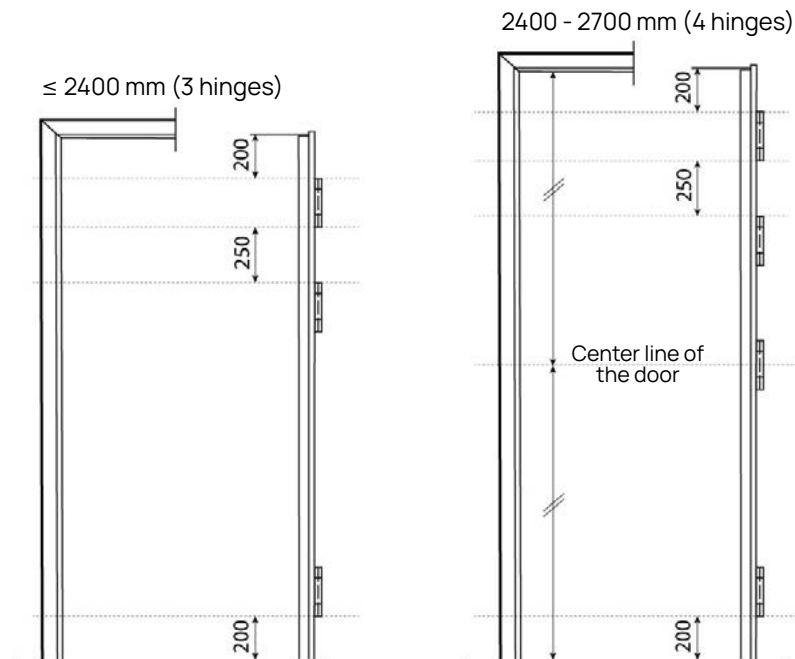
Frame Side



Door Side



APPLICATION BASED ON DOOR HEIGHT



Engsel ke 3 menambah 25% berat kapasitas 2 engsel.

Engsel ke 4 menambah 20% dari total kapasitas 2 engsel.

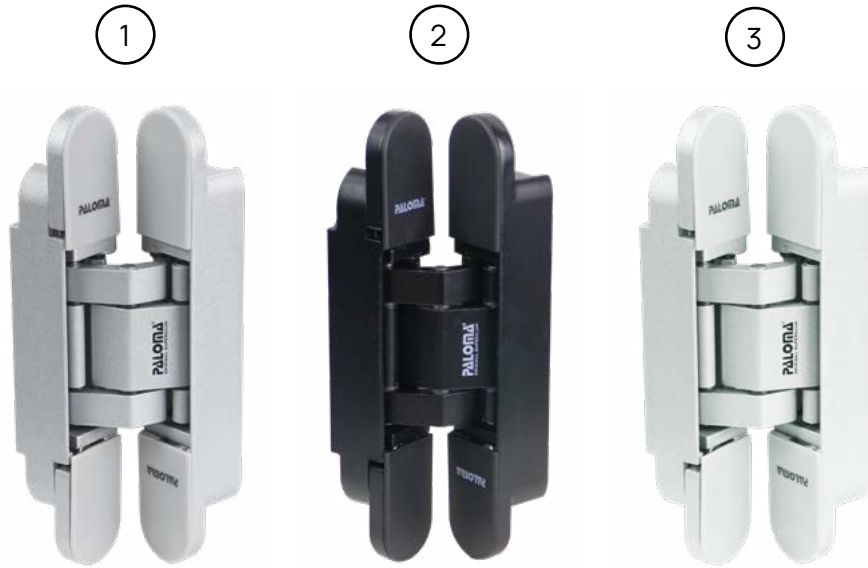
Contoh: Penggunaan engsel 80 kg per pair

2 engsel: 80 kg

3 engsel: 80 kg + 20 kg = 100 kg

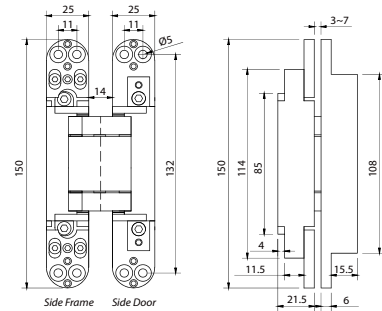
4 engsel: 80 kg + 20 kg + 16 kg = 116 kg

INVISIBLE HINGE P40



No.	Code	FINISHING
1.	IHP 801	NA
2.	IHP 804	MATTE BLACK
3.	IHP 807	MATTE WHITE

Max Door Weight	: 40 kg / 2 pcs
Max Door Width	: 800 mm
Max Door Height	: 2100 mm (2 pcs) 2500 mm (3 pcs) 2800 mm (4 pcs)
Max Door Opening	: 180°
Door Thickness	: 33 mm - 45 mm



SUITABLE FOR
ALUMINIUM,
WOOD OR METAL
DOORS & FRAMES

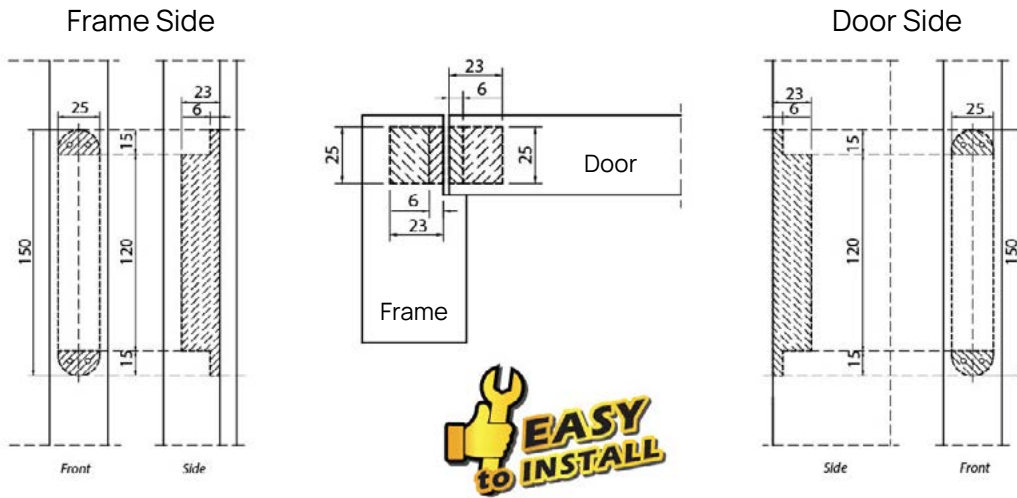
FEATURES

- SUPERALUM material
- Anti rust & corrosion
- Strong precise construction
- Heavy duty
- 10 years mechanical warranty

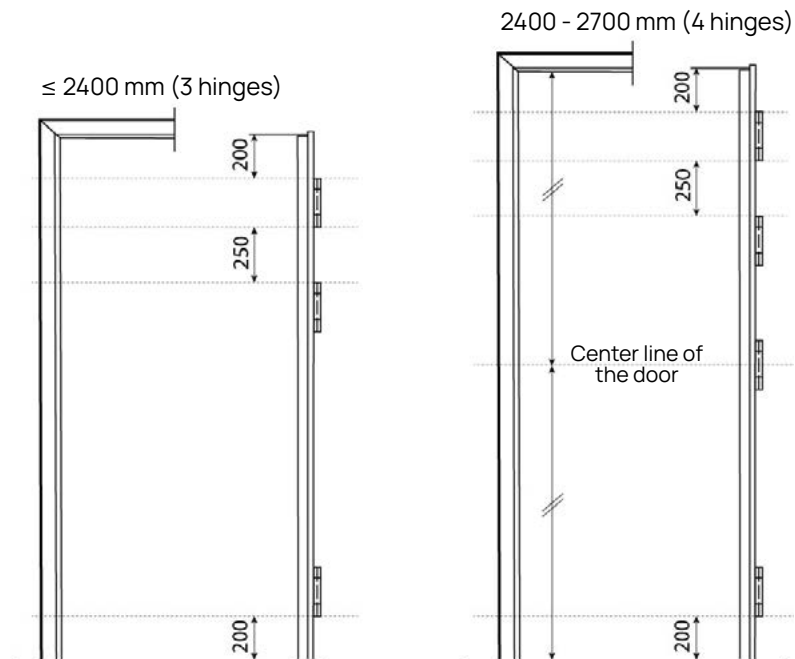
Posisi pintu dapat diatur:

- Atas - bawah ± 2 mm (total 4 mm)
- Kanan - kiri ± 1.25 mm (total 2.5 mm)
- Maju - mundur ± 1 mm (total 2 mm)

TEMPLATE DRILL (mm)



APPLICATION BASED ON DOOR HEIGHT



Engsel ke 3 menambah 25% berat kapasitas 2 engsel.

Engsel ke 4 menambah 20% dari total kapasitas 2 engsel.

Contoh: Penggunaan engsel 40 kg per pair

2 engsel: 40 kg

3 engsel: 40 kg + 10 kg = 50 kg

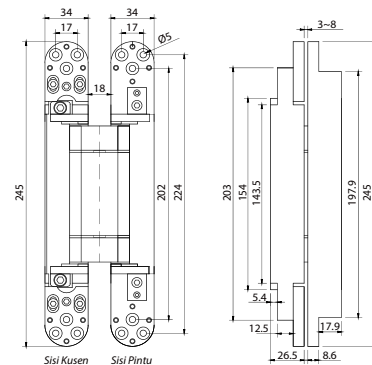
4 engsel: 40 kg + 10 kg + 8 kg = 58 kg

INVISIBLE HINGE PL120



No.	Code	FINISHING
1.	IHP 813	NA
2.	IHP 816	MATTE BLACK
3.	IHP 819	MATTE WHITE

Max Door Weight : 120 kg / 2 pcs
 Max Door Width : 1000 mm
 Max Door Height : 2100 mm (2 pcs)
 2500 mm (3 pcs)
 2800 mm (4 pcs)
 Max Door Opening : 180°
 Door Thickness : 42 mm - 60 mm



SUITABLE FOR ALUMINIUM, WOOD OR METAL DOORS & FRAMES

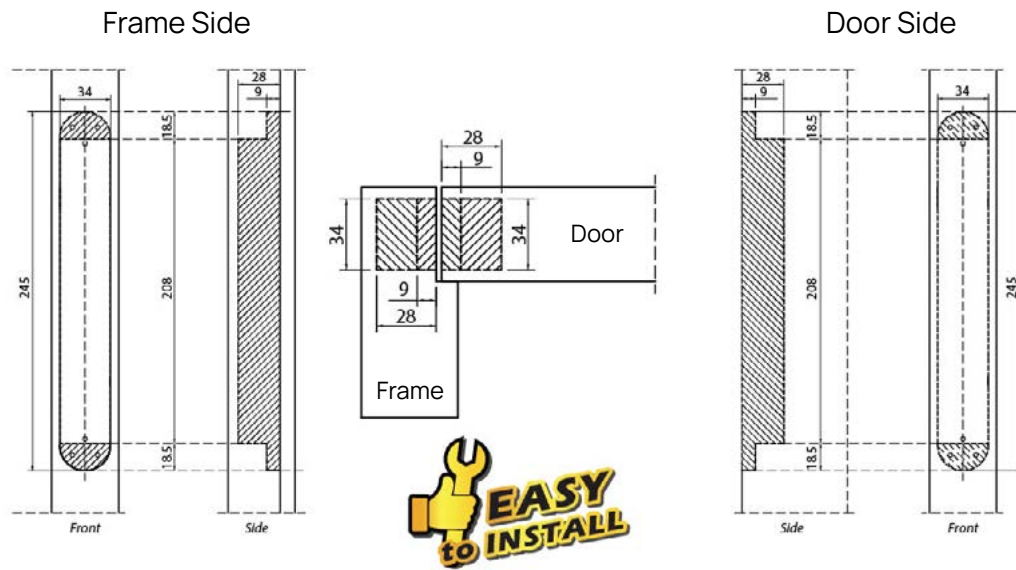
FEATURES

- SUPERALUM material
- Stainless steel SUS 304 cover
- Anti rust & corrosion
- Strong precise construction
- Heavy duty
- 10 years mechanical warranty

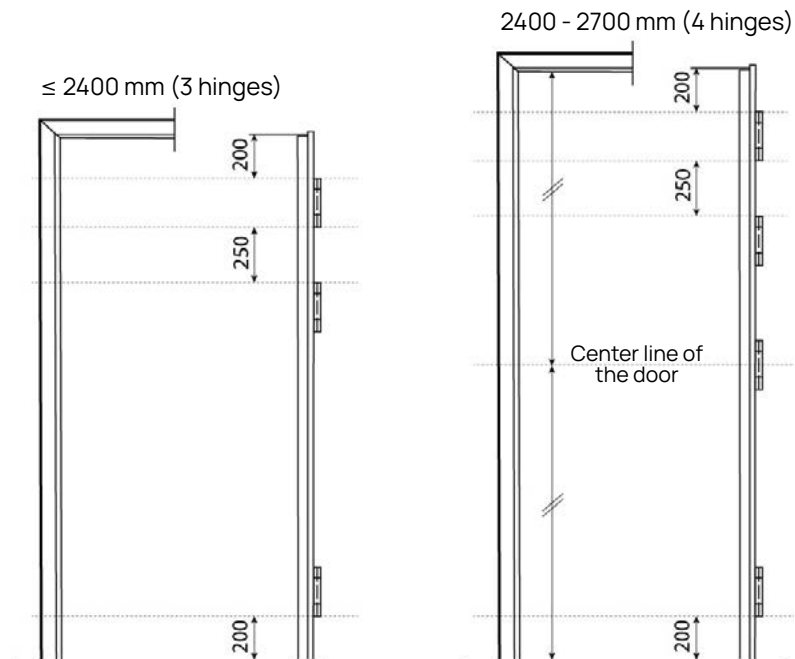
Posisi pintu dapat diatur:

- Atas - bawah ± 2.5 mm (total 5 mm)
- Kanan - kiri ± 1 mm (total 2 mm)
- Maju - mundur ± 1 mm (total 2 mm)

TEMPLATE DRILL (mm)



APPLICATION BASED ON DOOR HEIGHT



Engsel ke 3 menambah 25% berat kapasitas 2 engsel.

Engsel ke 4 menambah 20% dari total kapasitas 2 engsel.

Contoh: Penggunaan engsel 120 kg per pair

2 engsel: 120 kg

3 engsel: 120 kg + 30 kg = 150 kg

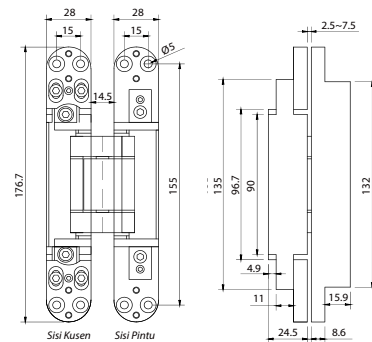
4 engsel: 120 kg + 30 kg + 24 kg = 174 kg

INVISIBLE HINGE PL80



No.	Code	FINISHING
1.	IHP 812	NA
2.	IHP 815	MATTE BLACK
3.	IHP 818	MATTE WHITE

- Max Door Weight : 80 kg / 2 pcs
- Max Door Width : 900 mm
- Max Door Height : 2100 mm (2 pcs)
2500 mm (3 pcs)
2800 mm (4 pcs)
- Max Door Opening : 180°
- Door Thickness : 36 mm - 50 mm



SUITABLE FOR ALUMINIUM, WOOD OR METAL DOORS & FRAMES

FEATURES

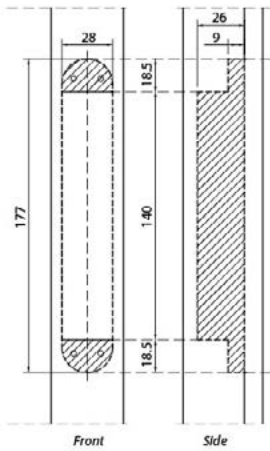
- SUPERALUM material
- Stainless steel SUS 304 cover
- Anti rust & corrosion
- Strong precise construction
- Heavy duty
- 10 years mechanical warranty

Posisi pintu dapat diatur:

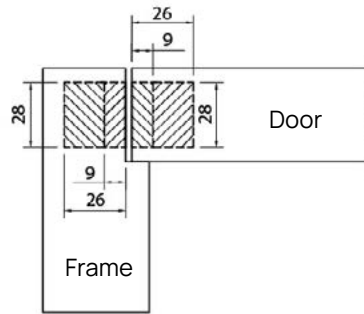
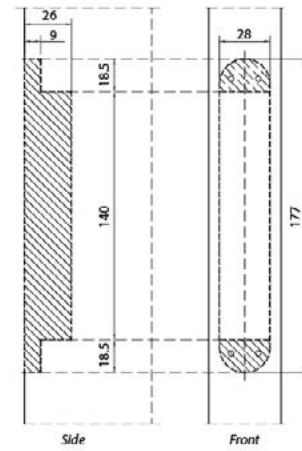
- Atas - bawah ± 2.5 mm (total 5 mm)
- Kanan - kiri ± 1.25 mm (total 2.5 mm)
- Maju - mundur ± 1.25 mm (total 2.5 mm)

TEMPLATE DRILL (mm)

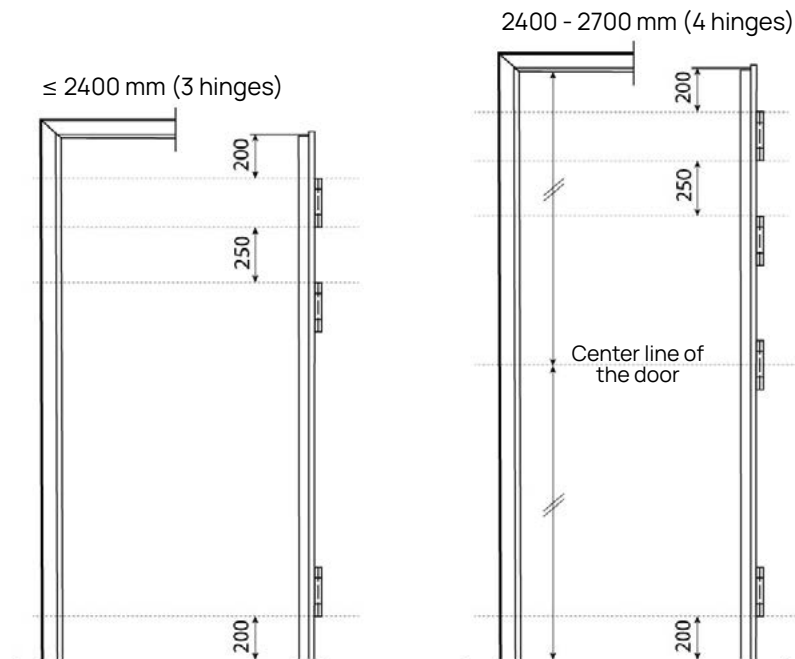
Frame Side



Door Side



APPLICATION BASED ON DOOR HEIGHT



Engsel ke 3 menambah 25% berat kapasitas 2 engsel.

Engsel ke 4 menambah 20% dari total kapasitas 2 engsel.

Contoh: Penggunaan engsel 80 kg per pair

2 engsel: 80 kg

3 engsel: 80 kg + 20 kg = 100 kg

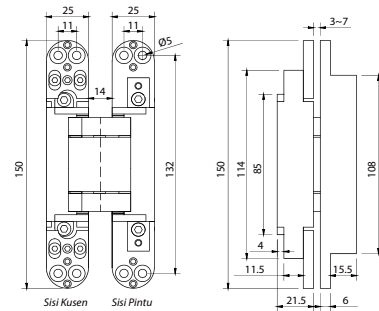
4 engsel: 80 kg + 20 kg + 16 kg = 116 kg

INVISIBLE HINGE PL40



No.	Code	FINISHING
1.	IHP 811	NA
2.	IHP 814	MATTE BLACK
3.	IHP 817	MATTE WHITE

- Max Door Weight : 40 kg / 2 pcs
- Max Door Width : 800 mm
- Max Door Height : 2100 mm (2 pcs)
2500 mm (3 pcs)
2800 mm (4 pcs)
- Max Door Opening : 180°
- Door Thickness : 33 mm - 45 mm



SUITABLE FOR
ALUMINIUM,
WOOD OR METAL
DOORS & FRAMES

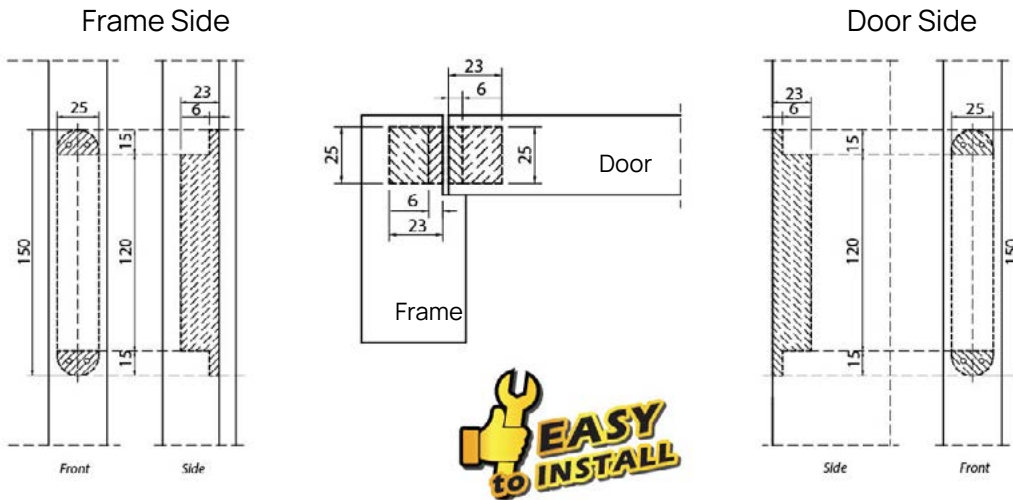
FEATURES

- SUPERALUM material
- Stainless steel SUS 304 cover
- Anti rust & corrosion
- Strong precise construction
- Heavy duty
- 10 years mechanical warranty

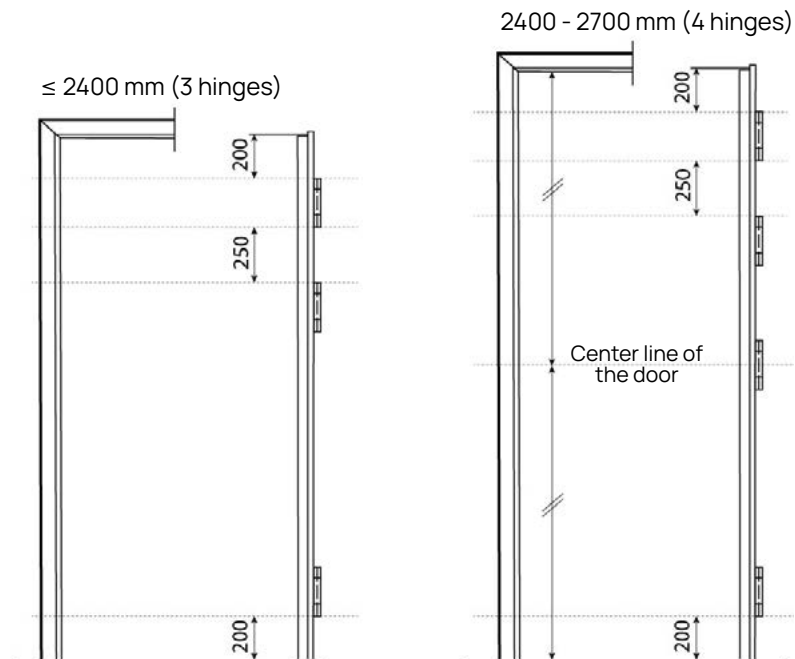
Posisi pintu dapat diatur:

- Atas - bawah ± 2 mm (total 4 mm)
- Kanan - kiri ± 1.25 mm (total 2.5 mm)
- Maju - mundur ± 1.25 mm (total 2.5 mm)

TEMPLATE DRILL (mm)



APPLICATION BASED ON DOOR HEIGHT



Engsel ke 3 menambah 25% berat kapasitas 2 engsel.

Engsel ke 4 menambah 20% dari total kapasitas 2 engsel.

Contoh: Penggunaan engsel 40 kg per pair

2 engsel: 40 kg

3 engsel: 40 kg + 10 kg = 50 kg

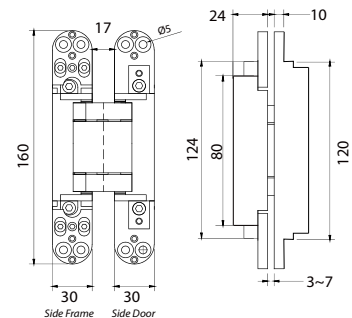
4 engsel: 40 kg + 10 kg + 8 kg = 58 kg

INVISIBLE HINGE P100



Code	FINISHING
IHP 302	SSS

Max Door Weight	: 100 kg / 2 pcs
Max Door Width	: 940 mm
Max Door Height	: 2200 mm (2 pcs) 2500 mm (3 pcs) 3000 mm (4 pcs)
Door Thickness	: 40 mm - 55 mm



SUITABLE FOR
ALUMINIUM,
WOOD OR METAL
DOORS & FRAMES

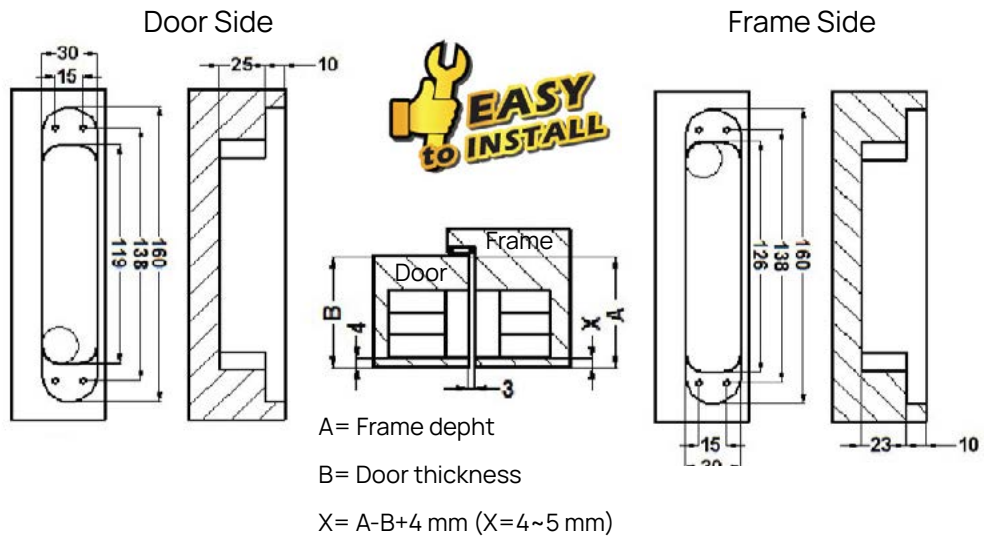
FEATURES

- Full stainless steel SUS 304 material
- Rust & corrosion resistant
- Strong precise construction
- Heavy duty
- 10 years mechanical warranty

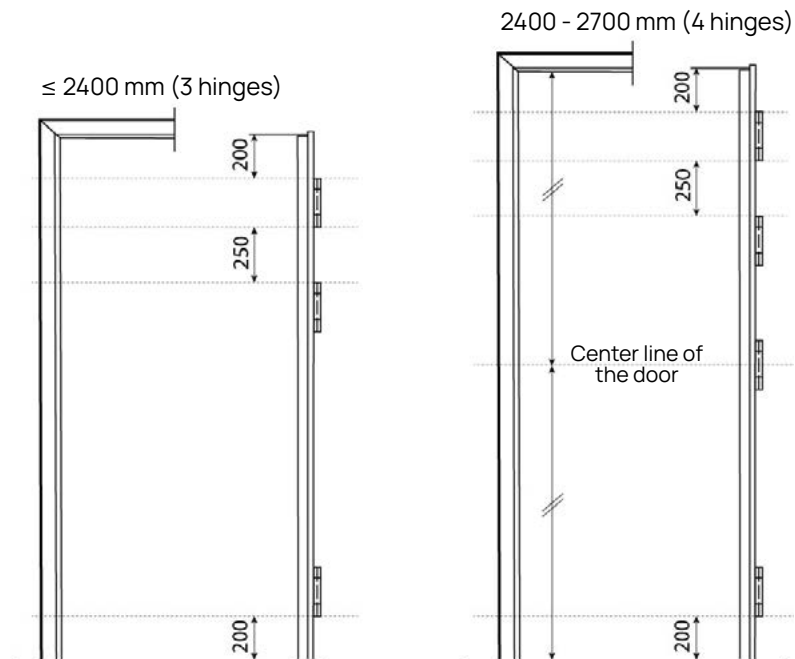
Posisi pintu dapat diatur:

- Atas - bawah ± 2.5 mm (total 5 mm)
- Kanan - kiri ± 2 mm (total 4 mm)
- Maju - mundur ± 1 mm (total 2 mm)

TEMPLATE DRILL (mm)



APPLICATION BASED ON DOOR HEIGHT



Engsel ke 3 menambah 25% berat kapasitas 2 engsel.

Engsel ke 4 menambah 20% dari total kapasitas 2 engsel.

Contoh: Penggunaan engsel 100 kg per pair

2 engsel: 100 kg

3 engsel: $100 \text{ kg} + 25 \text{ kg} = 125 \text{ kg}$

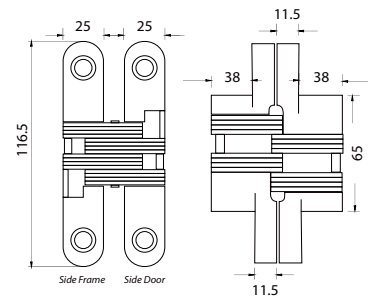
4 engsel: $100 \text{ kg} + 25 \text{ kg} + 20 \text{ kg} = 145 \text{ kg}$

INVISIBLE HINGE P65



Code	FINISHING
IHP 213	SSS

- Max Door Weight : 65 kg / 2 pcs
- Max Door Width : 800 mm
- Max Door Height : 2400 mm (3 pcs)
2700 mm (4 pcs)
- Door Thickness : 35 mm - 45 mm

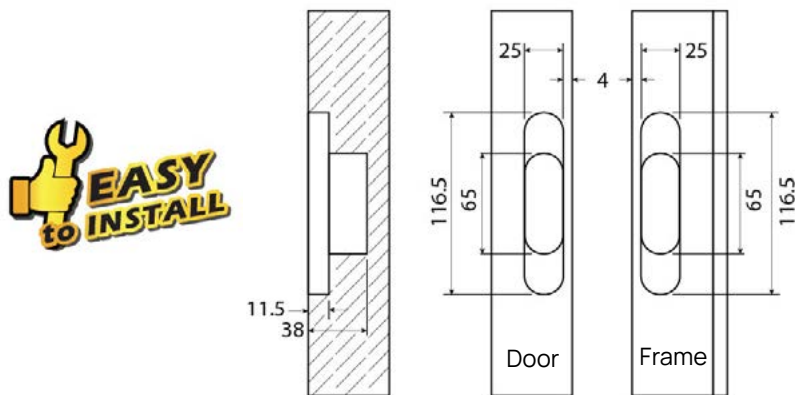


SUITABLE FOR
ALUMINIUM,
WOOD OR METAL
DOORS & FRAMES

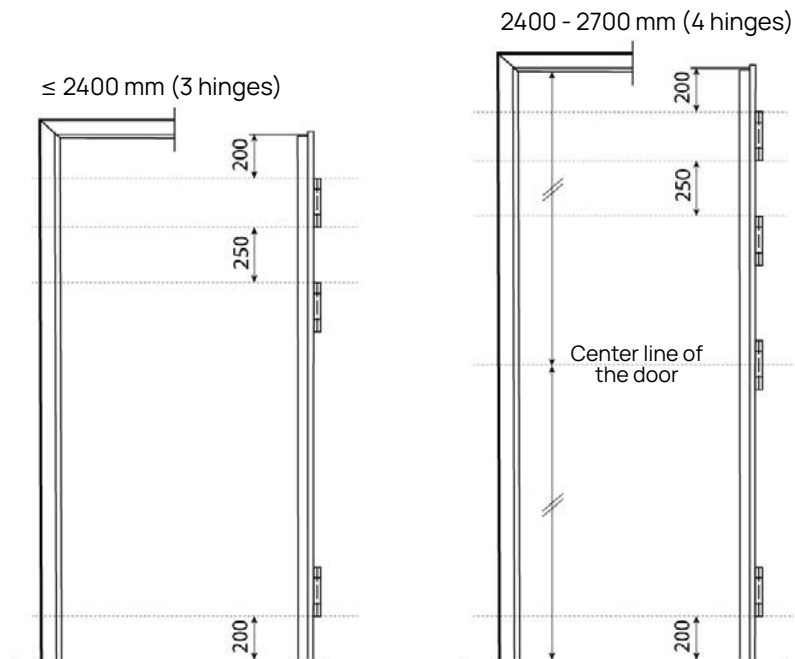
FEATURES

- Full stainless steel SUS 304 material
- Rust & corrosion resistant
- Strong precise construction
- Heavy duty
- 10 years mechanical warranty

TEMPLATE DRILL (mm)



APPLICATION BASED ON DOOR HEIGHT



Engsel ke 3 menambah 25% berat kapasitas 2 engsel.

Engsel ke 4 menambah 20% dari total kapasitas 2 engsel.

Contoh: Penggunaan engsel 65 kg per pair

2 engsel: 65 kg

3 engsel: 65 kg + 16 kg = 81 kg

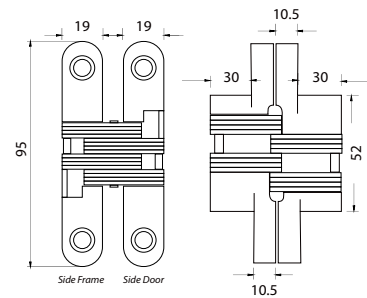
4 engsel: 65 kg + 16 kg + 13 kg = 94 kg

INVISIBLE HINGE P50



Code	FINISHING
IHP 212	SSS

- Max Door Weight : 50 kg / 2 pcs
- Max Door Width : 800 mm
- Max Door Height : 2100 mm (3 pcs)
2400 mm (4 pcs)
- Door Thickness : 28 mm - 35 mm

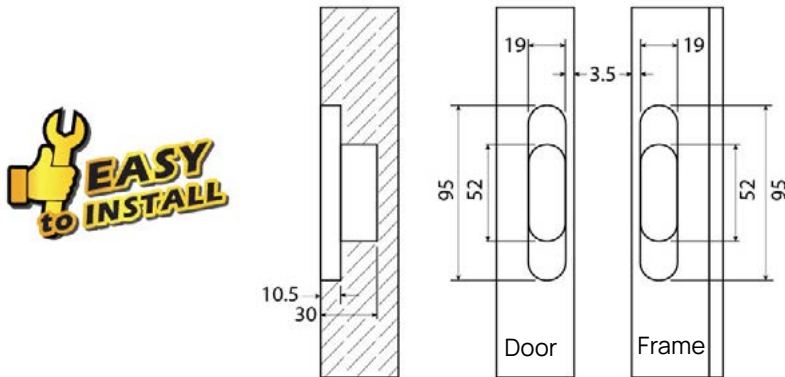


SUITABLE FOR
ALUMINIUM,
WOOD OR METAL
DOORS & FRAMES

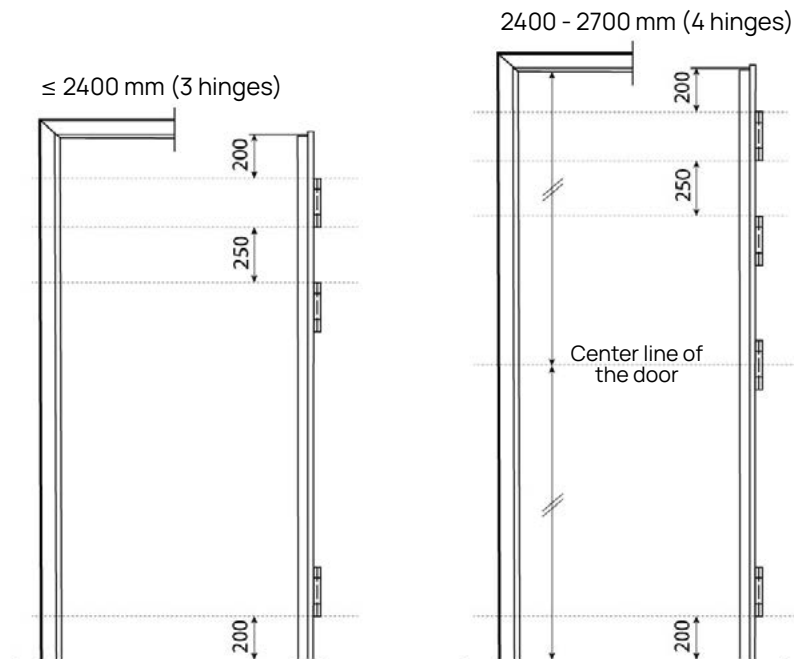
FEATURES

- Full stainless steel SUS 304 material
- Rust & corrosion resistant
- Strong precise construction
- Heavy duty
- 10 years mechanical warranty

TEMPLATE DRILL (mm)



APPLICATION BASED ON DOOR HEIGHT



Engsel ke 3 menambah 25% berat kapasitas 2 engsel.

Engsel ke 4 menambah 20% dari total kapasitas 2 engsel.

Contoh: Penggunaan engsel 50 kg per pair

2 engsel: 50 kg

3 engsel: 50 kg + 12 kg = 62 kg

4 engsel: 50 kg + 12 kg + 13 kg = 72 kg

DOOR CLOSER







DOOR CLOSER 992 CONCEALED

①



②



No.	Code	FINISHING
1.	DCP 511	NA
2.	DCP 512	MATTE BLACK

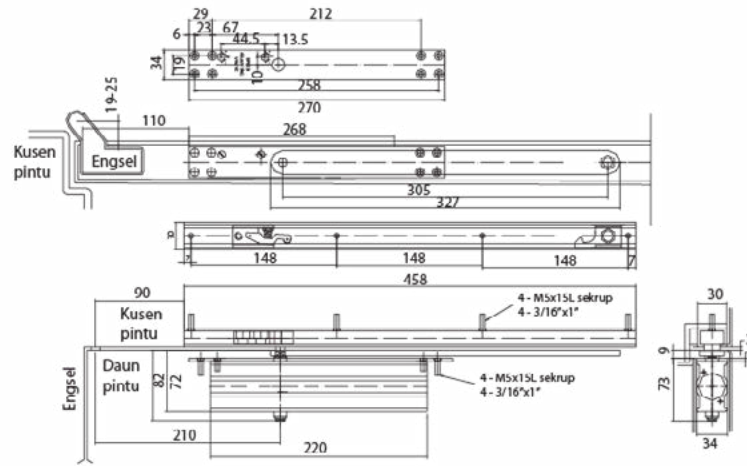
Max Door Weight	: 70 kg
Max Door Width	: 950 mm
Door Thickness	: 45 mm

FEATURES

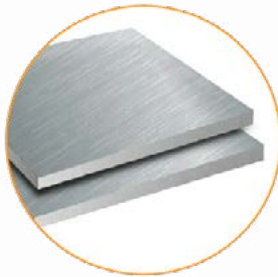
- High grade solid aluminium
- Anti rust & corrosion
- Sliding arm mechanism
- High quality hydraulic oil
- Strong precise construction
- Heavy duty
- 5 years mechanical warranty



SUITABLE FOR
ALUMINIUM,
WOOD OR METAL
DOORS & FRAMES



High Grade Solid Aluminium Body



Adjustable Telescopic Arm

Easy adjustable to help with the hassle-free installation and smooth transition of opening/closure.



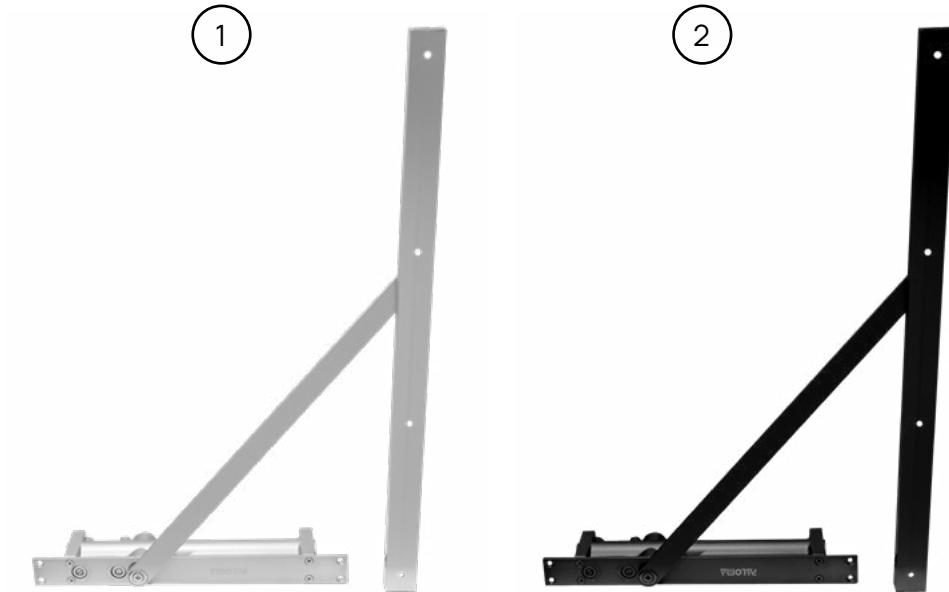
Adjustable Closing & Latching Speed



Left and Right Handed Operation

Design to work with left opening/closing and right opening/closing doors.

DOOR CLOSER 935 CONCEALED



No.	Code	FINISHING
1.	DCP 521	NA
2.	DCP 522	MATTE BLACK

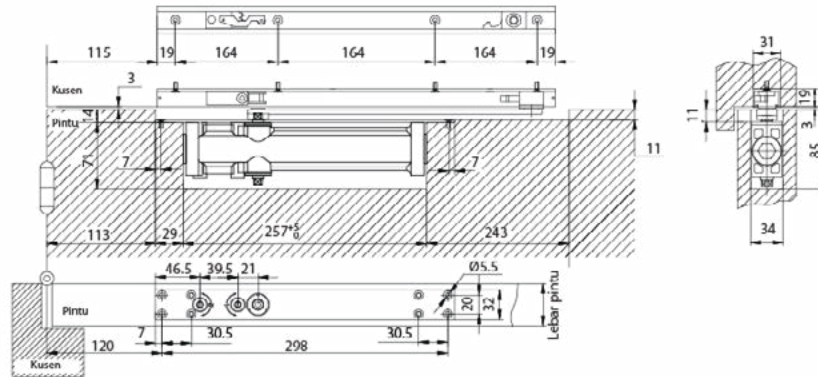
Max Door Weight : 90 kg
 Max Door Width : 950 mm
 Door Thickness : 40 mm

FEATURES

- High grade solid aluminium
- Anti rust & corrosion
- Sliding arm mechanism
- High quality hydraulic oil
- Strong precise construction
- Heavy duty
- 5 years mechanical warranty



SUITABLE FOR
 ALUMINIUM,
 WOOD OR METAL
 DOORS & FRAMES



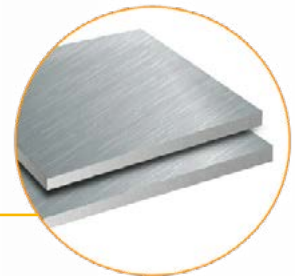
Adjustable Closing & Latching Speed



Adjustable Telescopic Arm
Easy adjustable to help with the hassle-free installation and smooth transition of opening/closure.



High Grade Solid Aluminium Body



Left and Right Handed Operation

Design to work with left opening/closing and right opening/closing doors.

DOOR CLOSER 993 CONCEALED



No.	Code	FINISHING
1.	DCP 501	NA
2.	DCP 502	MATTE BLACK

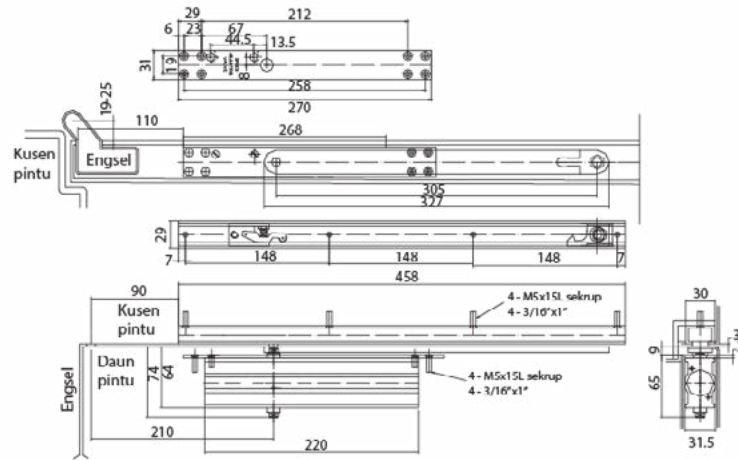
Max Door Weight : 50 kg
 Max Door Width : 800 mm
 Door Thickness : 40 mm

FEATURES

- High grade solid aluminium
- Anti rust & corrosion
- Sliding arm mechanism
- High quality hydraulic oil
- Strong precise construction
- Heavy duty
- 5 years mechanical warranty



SUITABLE FOR
 ALUMINIUM,
 WOOD OR METAL
 DOORS & FRAMES

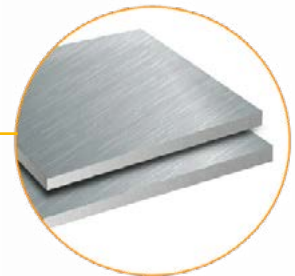


Adjustable Closing & Latching Speed



Adjustable Telescopic Arm
Easy adjustable to help with the hassle-free installation and smooth transition of opening/closure.

High Grade Solid Aluminium Body



Left and Right Handed Operation

Design to work with left opening/closing and right opening/closing doors.



DOOR CLOSER 925 SLIDING ARM



No.	Code	FINISHING
1.	DCP 411	NA
2.	DCP 412	MATTE BLACK

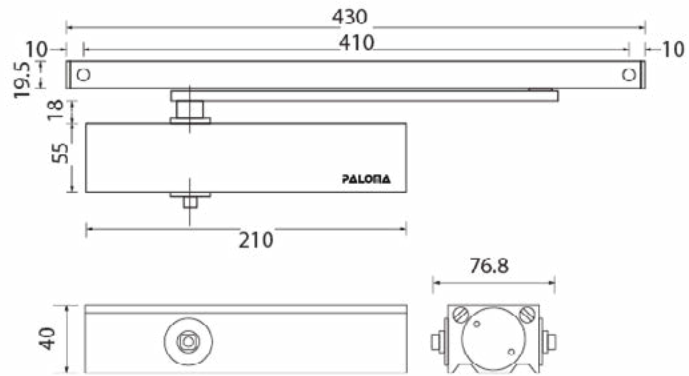
Max Door Weight : 50 kg
 Max Door Width : 900 mm

FEATURES

- High grade solid aluminium
- Anti rust & corrosion
- Sliding arm mechanism
- High quality hydraulic oil
- Strong precise construction
- Heavy duty
- 5 years mechanical warranty



SUITABLE FOR
 ALUMINIUM,
 WOOD OR METAL
 DOORS & FRAMES



Adjustable Closing & Latching Speed

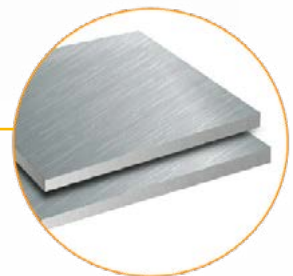


Adjustable Telescopic Arm

Easy adjustable to help with the hassle-free installation and smooth transition of opening/closure.



High Grade Solid Aluminium Body



Left and Right Handed Operation

Design to work with left opening/closing and right opening/closing doors.

DOOR CLOSER 9516 NHO



No.	Code	FINISHING
1.	DCP 321	NA
2.	DCP 322	MATTE BLACK

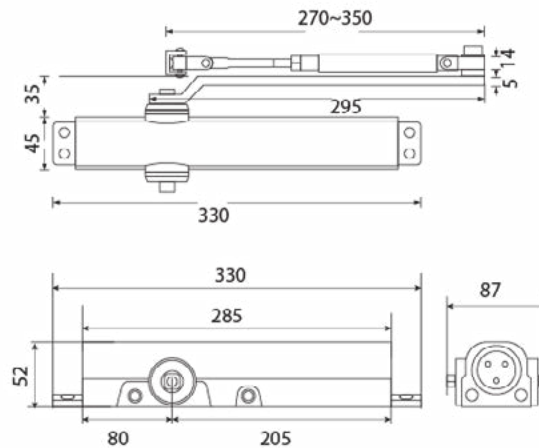
Door Weight : 20 ~ 150 kg
 Max Door Width : 1000 mm

FEATURES

- High grade solid aluminium
- Anti rust & corrosion
- High quality hydraulic oil
- Strong precise construction
- Heavy duty
- 5 years mechanical warranty



SUITABLE FOR
 ALUMINIUM,
 WOOD OR METAL
 DOORS & FRAMES



Delay Action

the control valve delays the door closing time at the initial closing angle.



Backcheck

valve for regulating hydraulic resistance to opening the door (to prevent impact when opening the door).

Rotating Control Shaft

Super strength aluminium control shaft for smooth opening and closing.

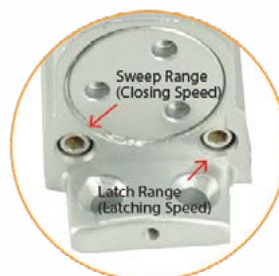
Adjustable Telescopic Arm

Easy adjustable to help with the hassle-free installation and smooth transition of opening/closure.

High Grade Solid Aluminium Body

Left and Right Handed Operation

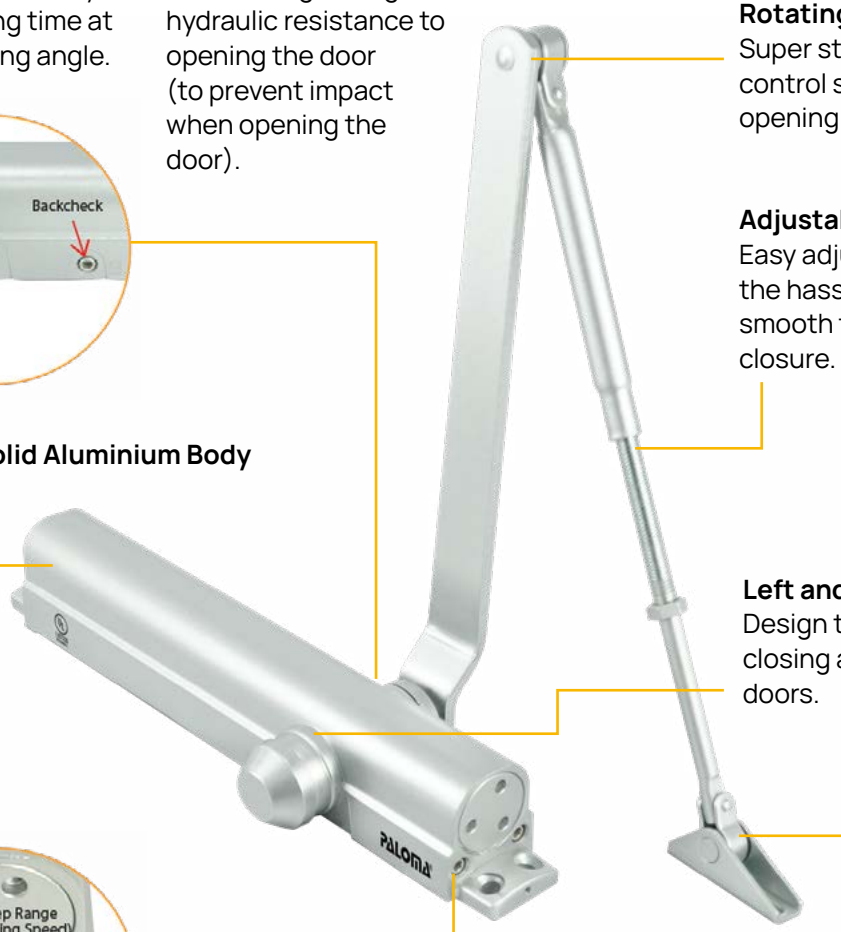
Design to work with left opening/closing and right opening/closing doors.



Adjustable Closing & Latching Speed

Secure Nail Joint

Strong construction keeps the closer in place for control, stability, and safety.



DOOR CLOSER 9557 NHO



No.	Code	FINISHING
1.	DCP 311	NA
2.	DCP 312	MATTE BLACK

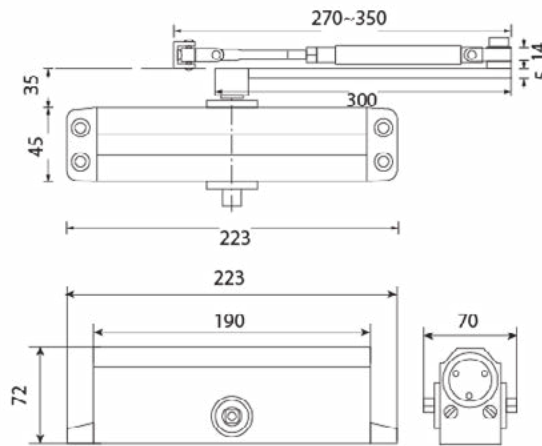
Door Weight : 150 kg
 Max Door Width : 1000 mm

FEATURES

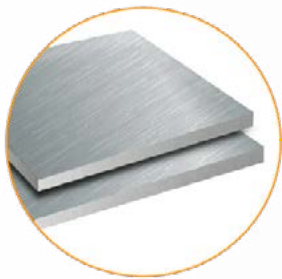
- High grade solid aluminium
- Anti rust & corrosion
- High quality hydraulic oil
- Strong precise construction
- Heavy duty
- 5 years mechanical warranty



SUITABLE FOR
 ALUMINIUM,
 WOOD OR METAL
 DOORS & FRAMES



High Grade Solid Aluminium Body



Rotating Control Shaft

Super strength aluminium control shaft for smooth opening and closing.

Adjustable Telescopic Arm

Easy adjustable to help with the hassle-free installation and smooth transition of opening/closure.

Adjustable Closing & Latching Speed



Left and Right Handed Operation

Design to work with left opening/closing and right opening/closing doors.

Secure Nail Joint

Strong construction keeps the closer in place for control, stability, and safety.



DOOR CLOSER 956 NHO



No.	Code	FINISHING
1.	DCP 301	NA
2.	DCP 302	MATTE BLACK

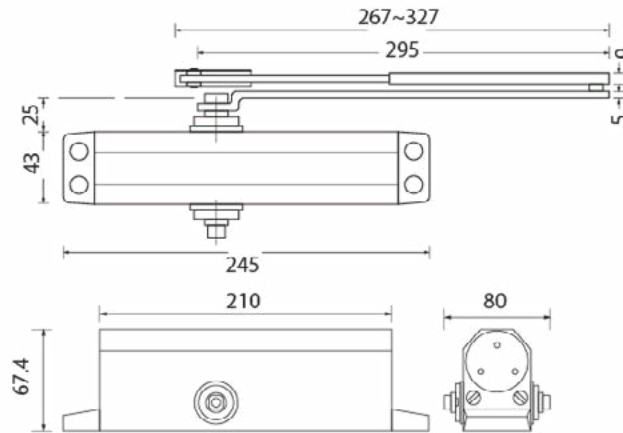
Door Weight : 100 kg
 Max Door Width : 1000 mm

FEATURES

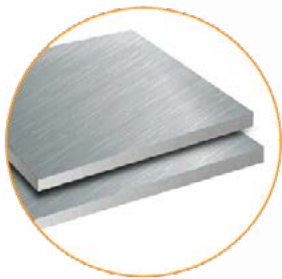
- High grade solid aluminium
- Anti rust & corrosion
- High quality hydraulic oil
- Strong precise construction
- Heavy duty
- 5 years mechanical warranty



SUITABLE FOR
 ALUMINIUM,
 WOOD OR METAL
 DOORS & FRAMES



High Grade Solid Aluminium Body



Left and Right Handed Operation

Design to work with left opening/closing and right opening/closing doors.

Rotating Control Shaft

Super strength aluminium control shaft for smooth opening and closing.

Adjustable Telescopic Arm

Easy adjustable to help with the hassle-free installation and smooth transition of opening/closure.



Adjustable Closing & Latching Speed

Secure Nail Joint

Strong construction keeps the closer in place for control, stability, and safety.

DOOR CLOSER 925 NHO



No.	Code	FINISHING
1.	DCP 401	NA
2.	DCP 402	MATTE BLACK

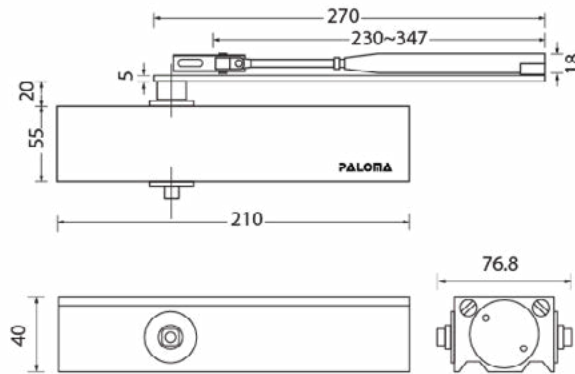
Door Weight : 40 ~ 100 kg
 Max Door Width : 1000 mm

FEATURES

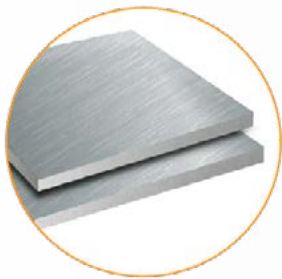
- High grade solid aluminium
- Anti rust & corrosion
- High quality hydraulic oil
- Strong precise construction
- Heavy duty
- 5 years mechanical warranty



SUITABLE FOR
 ALUMINIUM,
 WOOD OR METAL
 DOORS & FRAMES



High Grade Solid Aluminium Body



Left and Right Handed Operation

Design to work with left opening/closing and right opening/closing doors.

Rotating Control Shaft

Super strength aluminium control shaft for smooth opening and closing.

Adjustable Telescopic Arm

Easy adjustable to help with the hassle-free installation and smooth transition of opening/closure.



Adjustable Closing & Latching Speed

Latching Speed
Regulating Screw
Closing Speed
Regulating Screw

Secure Nail Joint

Strong construction keeps the closer in place for control, stability, and safety.

DOOR CLOSER 900 NHO



No.	Code	FINISHING
1.	DCP 101	NA
2.	DCP 102	BA
3.	DCP 103	MATTE BLACK
4.	DCP 104	WHITE

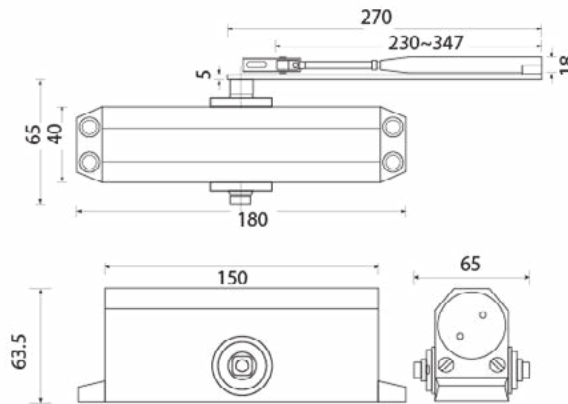
Door Weight : 40 kg
 Max Door Width : 800 mm

FEATURES

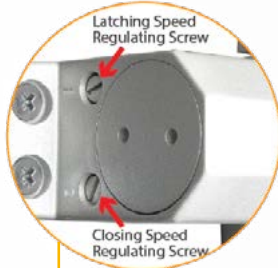
- High grade solid aluminium
- Anti rust & corrosion
- Hydraulic with German oil
- Strong precise construction
- Heavy duty
- 5 years mechanical warranty



SUITABLE FOR
 ALUMINIUM,
 WOOD OR METAL
 DOORS & FRAMES



Adjustable Closing & Latching Speed



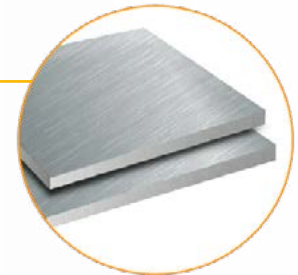
Rotating Control Shaft

Super strength aluminium control shaft for smooth opening and closing.

Adjustable Telescopic Arm

Easy adjustable to help with the hassle-free installation and smooth transition of opening/ closure.

High Grade Solid Aluminium Body



Left and Right Handed Operation

Design to work with left opening/ closing and right opening/closing doors.

Secure Nail Joint

Strong construction keeps the closer in place for control, stability, and safety.

DOOR CLOSER 900 HO



No.	Code	FINISHING
1.	DCP 111	NA
2.	DCP 112	BA
3.	DCP 113	MATTE BLACK
4.	DCP 114	WHITE

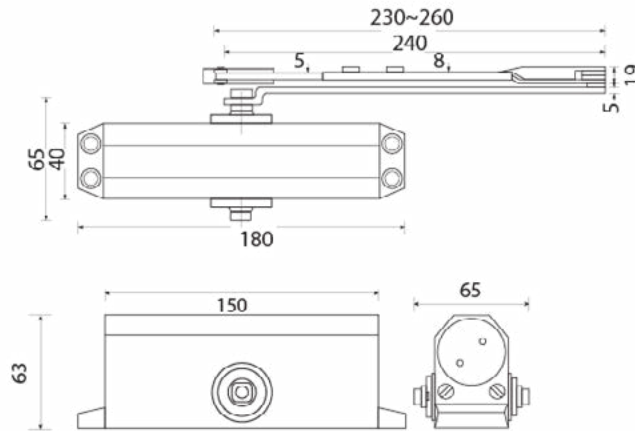
Door Weight : 40 kg
 Max Door Width : 800 mm

FEATURES

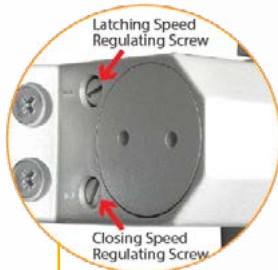
- High grade solid aluminium
- Anti rust & corrosion
- Hydraulic with German oil
- Strong precise construction
- Heavy duty
- 5 years mechanical warranty



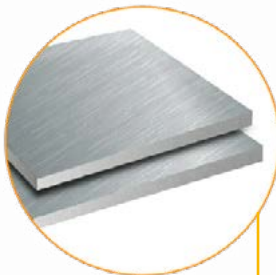
SUITABLE FOR
 ALUMINIUM,
 WOOD OR METAL
 DOORS & FRAMES



Adjustable Closing & Latching Speed



High Grade Solid Aluminium Body



Rotating Control Shaft

Super strength aluminium control shaft for smooth opening and closing.



Adjustable Telescopic Arm

Easy adjustable to help with the hassle-free installation and smooth transition of opening/ closure.

Secure Nail Joint

Strong construction keeps the closer in place for control, stability, and safety.

Left and Right Handed Operation

Design to work with left opening/ closing and right opening/closing doors.



PIVOT HINGE



PIVOT HINGE 300 HD



Code	FINISHING
PVP 831	SSS

Max Door Weight : 300 kg
Max Door Width : 1500 mm
Min Door Thickness : 55 mm

FEATURES

- High quality stainless steel SUS 304 + Steel
- Rust & corrosion resistant
- Strong precise construction
- Ultra heavy duty
- 10 years mechanical warranty

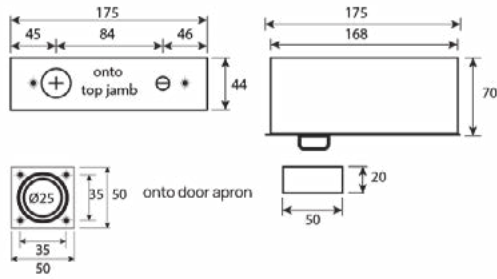


INDOOR
INSTALLATION

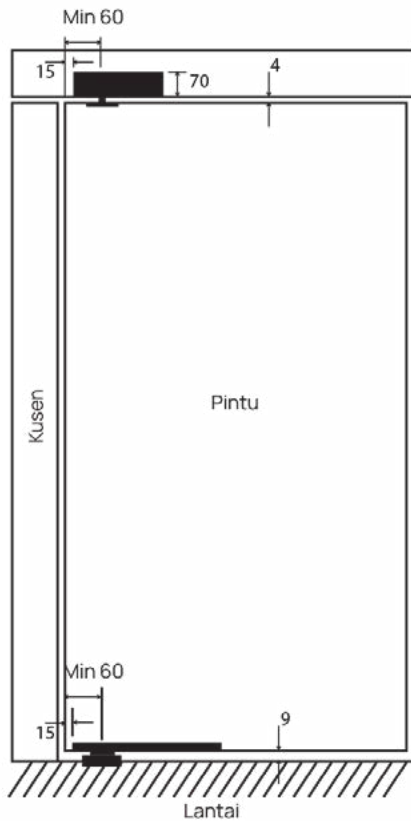
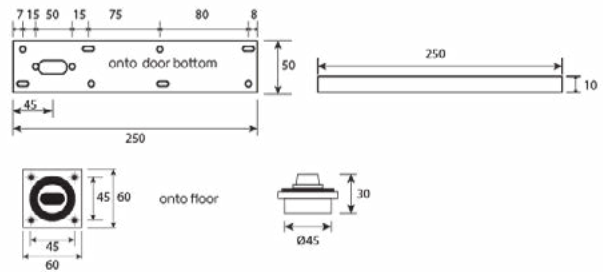


APPLIED FOR
WOODEN OR
HEAVY METAL
DOORS

Top pivot



Bottom pivot



Perhitungan celah pintu ke dinding:

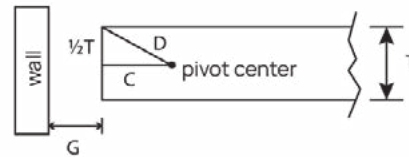
T : Door thickness

C : Pivot center to door edge
(min 60MM)

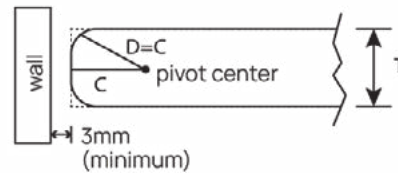
G : Door gap (wall to door)

$$D: \sqrt{(\frac{1}{2}T)^2 + C^2}$$

$$G: D - C + 3\text{MM (minimum)}$$



Catatan: Celah pintu terkecil 3mm dapat dicapai dengan pembulatan tepi pintu, sehingga $D = C$.



PIVOT HINGE 800 HD



Code	FINISHING
PVP 881	SSS

Max Door Weight : 800 kg
 Max Door Width : 1500 mm
 Min Door Thickness : 80 mm

FEATURES

- High quality stainless steel SUS 304 + Steel
- Rust & corrosion resistant
- Strong precise construction
- Ultra heavy duty
- 10 years mechanical warranty



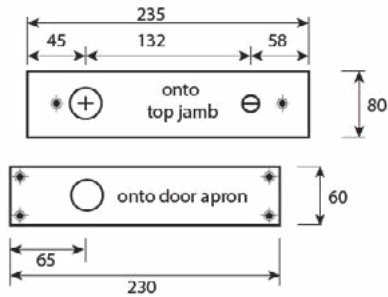
INDOOR
INSTALLATION



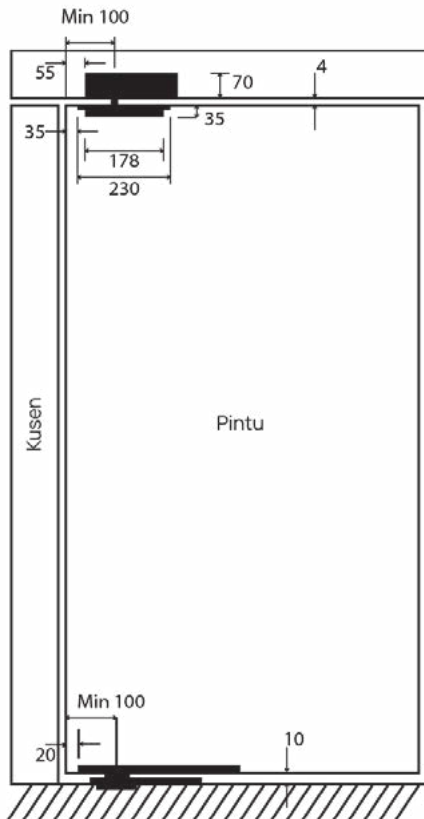
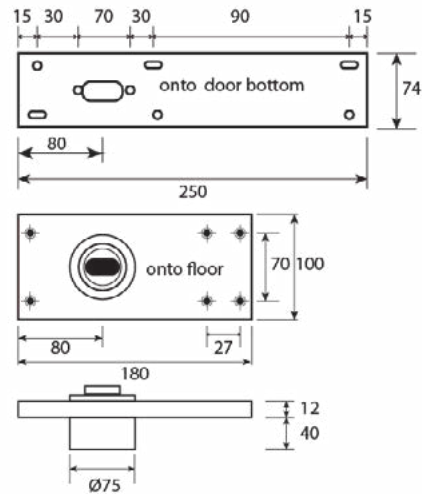
APPLIED FOR
WOODEN OR
HEAVY METAL
DOORS



Top pivot



Bottom pivot



Perhitungan celah pintu ke dinding:

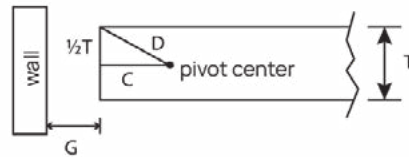
T : Door thickness

C : Pivot center to door edge
(min 60MM)

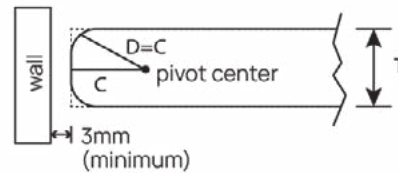
G : Door gap (wall to door)

$$D: \sqrt{(\frac{1}{2}T)^2 + C^2}$$

$$G: D - C + 3\text{MM (minimum)}$$



Catatan: Celah pintu terkecil 3mm dapat dicapai dengan pembulatan tepi pintu, sehingga $D = C$.



PIVOT HINGE 9985 HYDRAULIC



Code	FINISHING
PVP 901	NA+SSS

Max Door Weight : 85 kg
Min-Max Door Width : 800 ~ 950 mm
Min Door Thickness : 45 mm

FEATURES

- High quality stainless steel SUS 304 + Aluminium
- Rust & corrosion resistant
- High quality hydraulic system
- Strong precise construction
- Heavy duty
- 5 years mechanical warranty

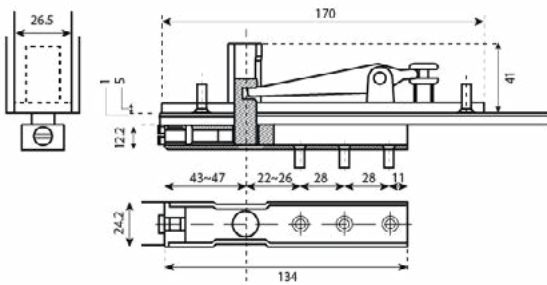


INDOOR
INSTALLATION

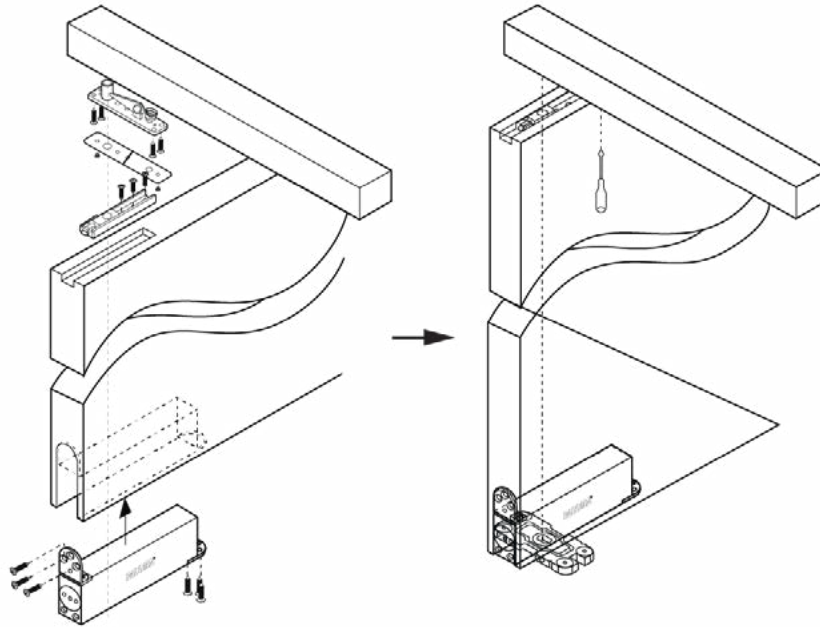
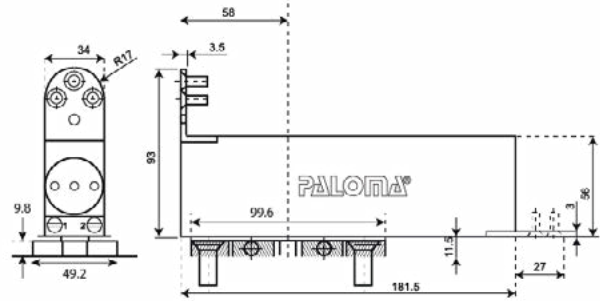


APPLIED FOR
WOODEN OR
HEAVY METAL
DOORS

Top pivot

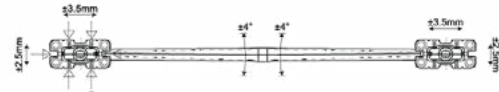
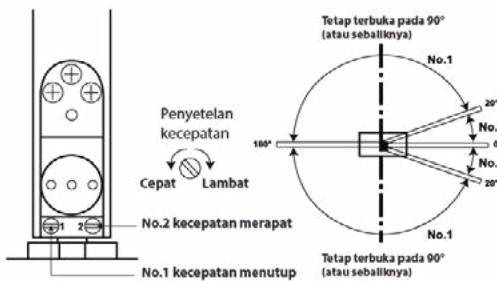


Bottom pivot

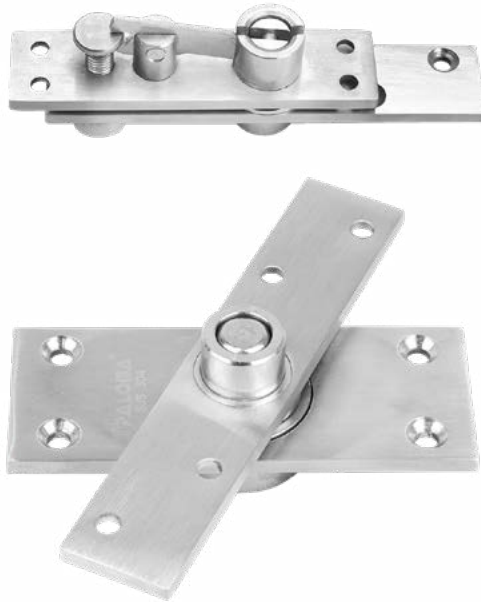


Cara Penyetelan Kecepatan Buka-Tutup Pintu

Penyesuaian Pintu



PIVOT HINGE 005



Code	FINISHING
PVP 501	SSS

Max Door Weight : 250 kg
 Max Door Width : 1100 mm
 Min Door Thickness : 40 mm

FEATURES

- High quality stainless steel SUS 304
- Rust & corrosion resistant
- Strong precise construction
- Heavy duty
- 10 years mechanical warranty

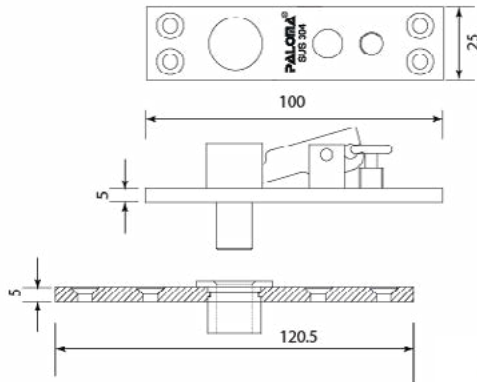


INDOOR
INSTALLATION

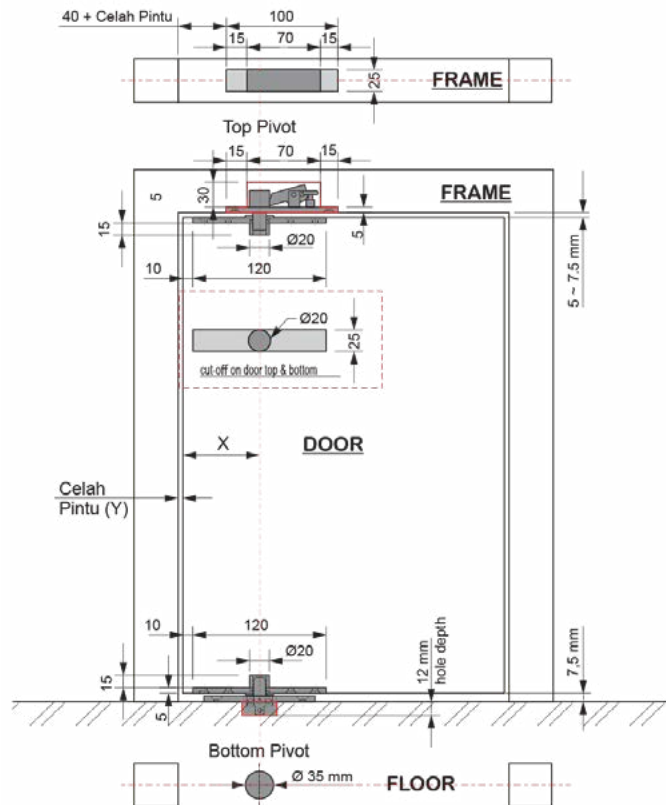
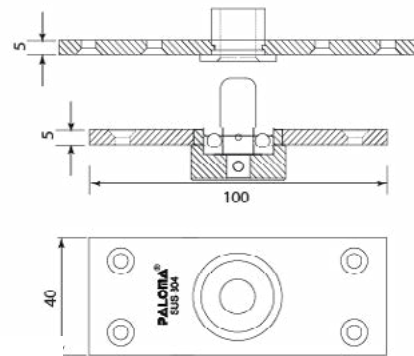


SUITABLE FOR
ALUMINIUM,
WOOD OR METAL
DOORS & FRAMES

Top pivot



Bottom pivot



	Tebal Pintu (mm)				Berat Pintu (maksimal)	Lebar Pintu (maksimal)	Jarak As (X) minimal
	40	50	60	70			
Celah Pintu (Y) Minimal Sisi Engsel (mm)	4	6	8	10	250 kg	1100 mm	70 mm

* Jika Lebar Pintu 1200 ~ 1400, maka Jarak As (X) minimal = 200 mm

* Jika Lebar Pintu 1500 ~ 1800, maka Jarak As (X) minimal = 300 mm

PIVOT HINGE 006 OFFSET



No.	Code	FINISHING
1.	PVP 601	SSS
2.	PVP 602	SSS

Max Door Weight : 120 kg
 Max Door Width : 1200 mm
 Min Door Thickness : 30 mm

FEATURES

- High quality stainless steel SUS 304 + Iron
- Rust & corrosion resistant
- Strong precise construction
- Heavy duty
- 10 years mechanical warranty



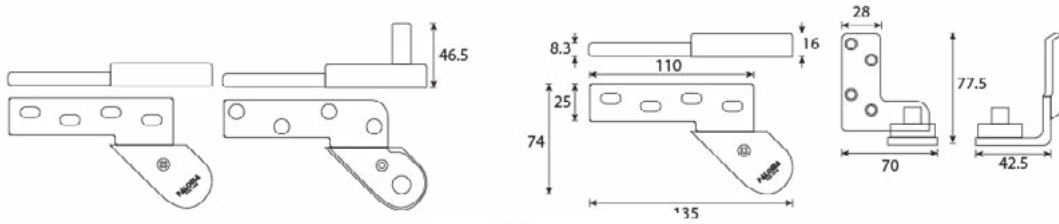
INDOOR
INSTALLATION



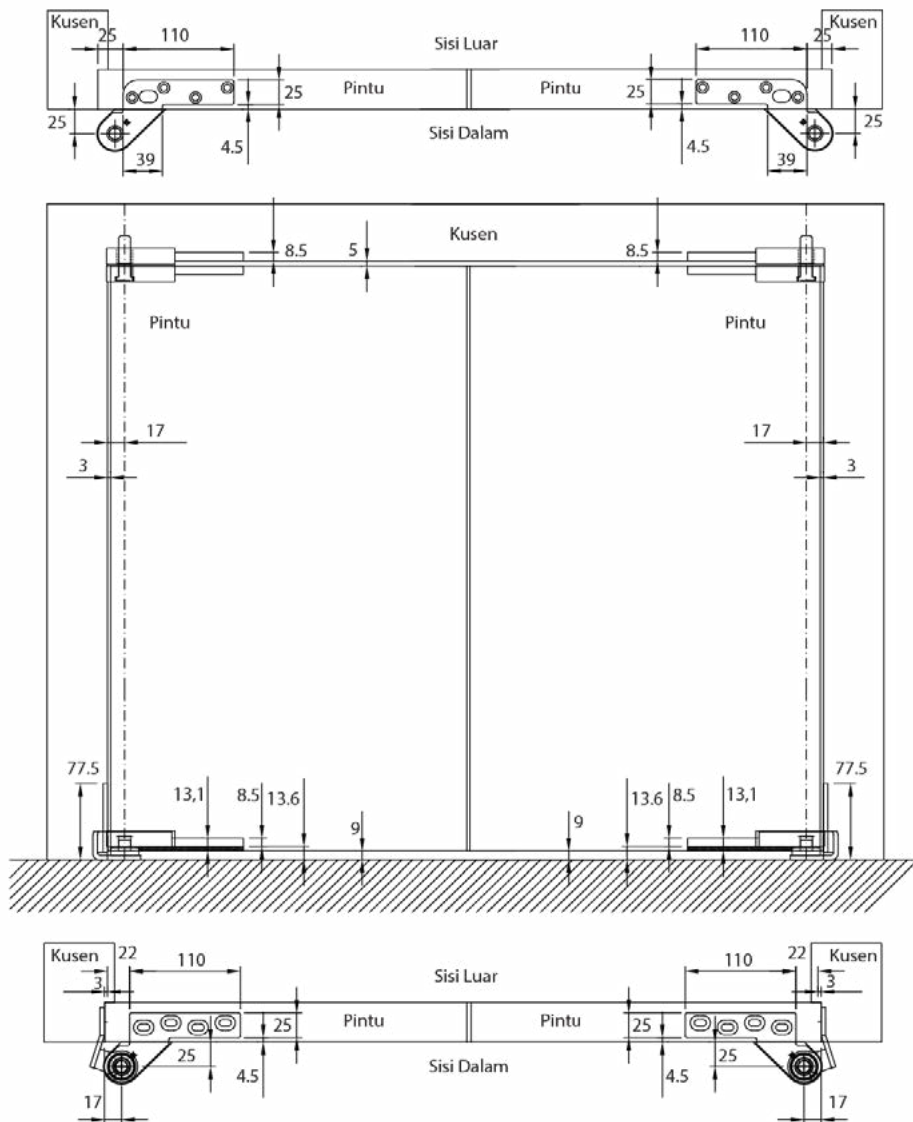
SUITABLE FOR
ALUMINIUM,
WOOD OR METAL
DOORS & FRAMES

Top pivot

Bottom pivot



PEMASANGAN PIVOT PADA DUA PINTU (KANAN-KIRI)

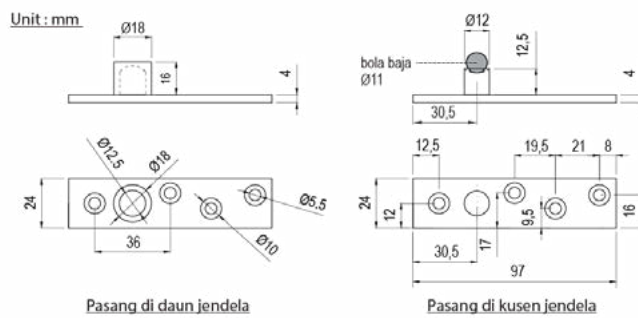


PIVOT HINGE 001



Code	FINISHING
PVP 101	SSS

Max Door Weight : 50 kg
 Min Door Thickness : 30 mm



FEATURES

- High quality stainless steel SUS 304
- Rust & corrosion resistant
- Strong precise construction
- Heavy duty
- 10 years mechanical warranty



INDOOR
INSTALLATION



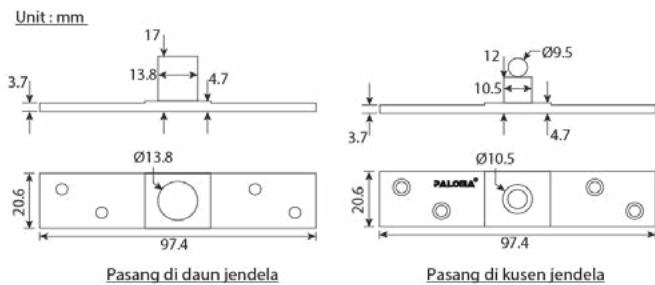
SUITABLE FOR
ALUMINIUM,
WOOD OR METAL
WINDOW

PIVOT HINGE 002



No.	Code	FINISHING	Pricelist
1.	PVP 201	PB	Rp 250.000
2.	PVP 202	SN	Rp 250.000

Max Door Weight : 45 kg
 Min Door Thickness : 30 mm



FEATURES

- High grade brass material
- Anti rust & corrosion
- Strong precise construction
- Heavy duty
- 10 years mechanical warranty



INDOOR
INSTALLATION



SUITABLE FOR
ALUMINIUM,
WOOD OR METAL
WINDOW





The Key to Excellent Living

palomahardware.com

PLIS0125