

# PALOMA<sup>®</sup>

HIGH QUALITY ARCHITECTURAL HARDWARE



Excellent  
Smart Digital Lock



**PALOMA<sup>®</sup>**

HIGH QUALITY ARCHITECTURAL HARDWARE

**PALOMA<sup>®</sup>**

HIGH QUALITY ARCHITECTURAL HARDWARE

---

# Digital Lock 6000

---





### 3D Face Recognition

Recognize faces quickly and accurately.

### Video Notification

Can make video calls via cell phone.

### RECHARGEABLE LITHIUM BATTERY

The battery can be recharged using a charger or power bank with a micro-USB cable.



# Digital Lock 6000

## DLP 6000: Gunmetal (Tuya Wi-Fi) DLP 6000D: Gunmetal (Dummy)

**Door Thickness:**  
40mm - 100mm

**Door Frame:**  
Min. 100mm

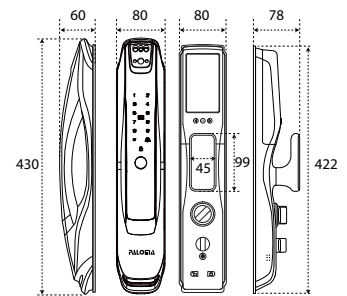
### Capacity Admin & User

Face Recognition : max 50  
Fingerprint : max 50  
RFID Card : max 250  
PIN Code : max 250



## Specification

- Panel material: Aluminium alloy
- Mortise: Full stainless steel SUS 304, backset 60mm
- Cylinder & Key: Full brass, high security grade
- Fingerprint sensor: Semiconductor capacitive (FPC Sweden)
- RFID reader: Non-contact induction (MIFARE 1K 13.56 Mhz)
- Numpad: Touchscreen
- Power Backup Port: Micro-USB
- Voltage: DC 4.5 - 6.0 V
- Operating Temperature: -10°C - 60°C
- Operating Humidity: 10% - 95% RH



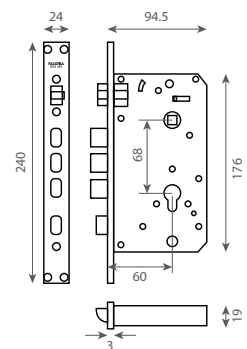
## Features

### Multiple Access

- Face Recognition
- Smartphone App (Android & iOS)
- Fingerprint
- PIN Code
- RFID Card: MIFARE 13.56 Mhz
- Mechanical Key

### High Security

- Automatic Locking
- Mortise Full SUS 304
- With Privacy Deadbolt
- Hardened Solid Deadbolt
- High Security Cylinder & Key
- Dual Verification Mode
- Anti-Theft Fake PIN
- Anti-Burglar Alarm
- Dust & Splash Proof



### User Management

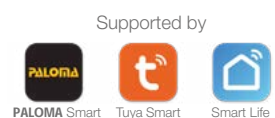
- 10 Admins & 240 Users
- Unlocking Records & Notification

### Easy Operation

- Camera as Door Viewer
- Video Notification
- Touch Screen
- Passage Mode
- Doorbell

### Battery

- Rechargeable Lithium Battery (x2)
- Low Battery Notification
- Micro-USB Backup Port





# Digital Lock 6000

## DLP 6001GM: Gunmetal (Tuya Wi-Fi) DLP 6001DGM: Gunmetal (Dummy)

**Door Thickness:**  
40mm - 100mm

**Door Frame:**  
Min. 100mm

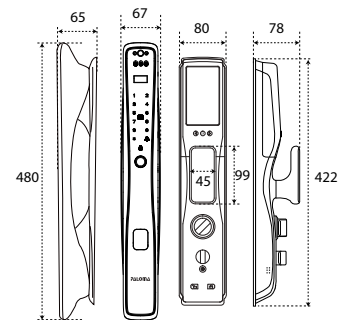
### Capacity Admin & User

Face Recognition : max 50  
Fingerprint : max 50  
RFID Card : max 100  
PIN Code : max 100



## Specification

- Panel material: Aluminium alloy
- Mortise: Full stainless steel SUS 304, backset 60mm
- Cylinder & Key: Full brass, high security grade
- Fingerprint sensor: Semiconductor capacitive (FPC Sweden)
- RFID reader: Non-contact induction (MIFARE 1K 13.56 Mhz)
- Numpad: Touchscreen
- Power Backup Port: Type-C
- Voltage: DC 4.9 - 6.0 V
- Operating Temperature: -25°C - 70°C
- Operating Humidity: 15% - 93% RH



## Features

### Multiple Access

- Face Recognition
- Smartphone App (Android & iOS)
- Fingerprint
- PIN Code
- RFID Card: MIFARE 13.56 Mhz
- Mechanical Key

### High Security

- Automatic Locking
- Mortise Full SUS 304
- With Privacy Deadbolt
- Hardened Solid Deadbolt
- High Security Cylinder & Key
- Dual Verification Mode
- Anti-Theft Fake PIN
- Anti-Burglar Alarm
- Dust & Splash Proof

### User Management

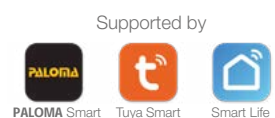
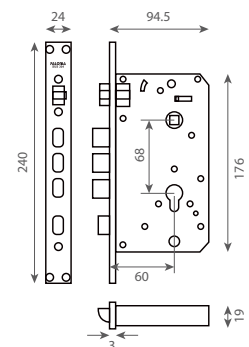
- 10 Admins & 240 Users
- Unlocking Records & Notification

### Easy Operation

- Camera as Door Viewer
- Video Notification
- Touch Screen
- Passage Mode
- Doorbell

### Battery

- Rechargeable Lithium Battery (x2)
- Low Battery Notification
- Type-C Backup Port





**PALOMA<sup>®</sup>**

HIGH QUALITY ARCHITECTURAL HARDWARE

---

# Digital Lock 415

---



1 2 3  
4 5 6  
7 8 9  
0

PALOMA

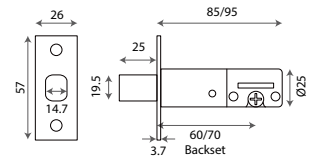
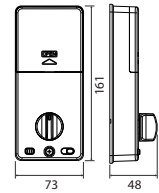
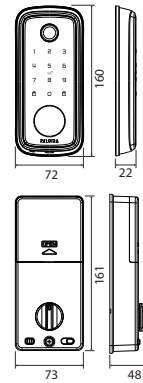
# Digital Lock 415

## DLP 415B: Black (Tuya Wi-Fi)



### Specification

- Panel material: Zamak alloy
- Mortise: Deadbolt type, backset adjustable 60/70mm
- Cylinder & Key: Full brass
- Fingerprint sensor: Semiconductor capacitive (FPC Sweden)
- RFID reader: Non-contact induction (MIFARE 1K 13.56 Mhz)
- Numpad: Touchscreen
- Power Backup Port: Type-C
- Voltage: DC 5.0 - 6.0 V
- Operating Temperature: -20°C ~ 70°C
- Operating Humidity: 20% ~ 80% RH



### Features

#### Multiple Access

- Smartphone App (Android & iOS)
- Fingerprint
- PIN Code
- RFID Card: MIFARE 13.56 Mhz
- Mechanical Key

#### High Security

- Automatic Locking
- Mortise SUS 304
- With Privacy Button
- Hardened Solid Deadbolt
- Dual Verification Mode
- Anti-Theft Fake PIN
- Dust & Splash Proof

#### User Management

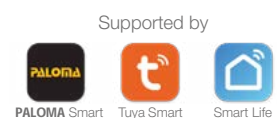
- 9 Admins & 291 Users
- Unlocking Records & Notification

#### Battery

- Low Battery Notification
- Alkaline AA x 4pcs
- Type-C Backup Port

#### Easy Operation

- Touch Screen
- Passage Mode
- Magnetic Sensor (Optional)



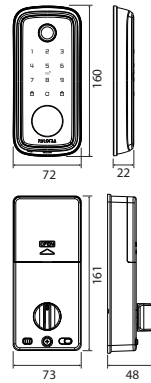
# Digital Lock 415

## DLP 415S: Silver (Tuya Wi-Fi)



### Specification

- Panel material: Zamak alloy
- Mortise: Deadbolt type, backset adjustable 60/70mm
- Cylinder & Key: Full brass
- Fingerprint sensor: Semiconductor capacitive (FPC Sweden)
- RFID reader: Non-contact induction (MIFARE 1K 13.56 Mhz)
- Numpad: Touchscreen
- Power Backup Port: Type-C
- Voltage: DC 5.0 - 6.0 V
- Operating Temperature: -20°C - 70°C
- Operating Humidity: 20% - 80% RH



### Features

#### Multiple Access

- Smartphone App (Android & iOS)
- Fingerprint
- PIN Code
- RFID Card: MIFARE 13.56 Mhz
- Mechanical Key

#### High Security

- Automatic Locking
- Mortise SUS 304
- With Privacy Button
- Hardened Solid Deadbolt
- Dual Verification Mode
- Anti-Theft Fake PIN
- Dust & Splash Proof

#### User Management

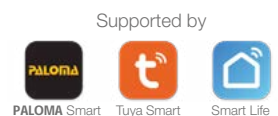
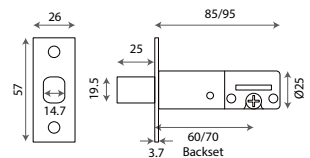
- 9 Admins & 291 Users
- Unlocking Records & Notification

#### Easy Operation

- Touch Screen
- Passage Mode
- Magnetic Sensor (Optional)

#### Battery

- Low Battery Notification
- Alkaline AA x 4pcs
- Type-C Backup Port



**PALOMA**<sup>®</sup>

HIGH QUALITY ARCHITECTURAL HARDWARE

---

# Digital Lock 4100

---



1 2 3  
4 5 6  
7 8 9  
🔒 0 🔒

PALOMA



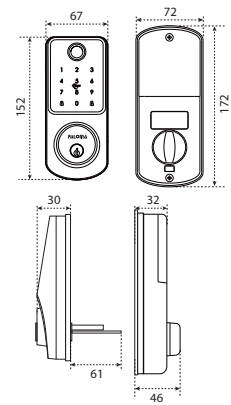
# Digital Lock 4100

## DLP 4121: Matte Black (Tuya Wi-Fi)



### Specification

- Panel material: Aluminium alloy, acrylic
- Mortise: Deadbolt type, backset adjustable 60/70mm
- Cylinder & Key: Full brass, 5 security pins
- Fingerprint sensor: Semiconductor capacitive (FPC Sweden)
- RFID reader: Non-contact induction (MIFARE 1K 13.56 Mhz)
- Numpad: Touchscreen
- Power Backup Port: Micro-USB
- Voltage: DC 4.5 - 6.0 V
- Operating Temperature: -10°C - 60°C
- Operating Humidity: 10% - 95% RH



### Features

#### Multiple Access

- Smartphone App (Android & iOS)
- Fingerprint
- PIN Code
- RFID Card: MIFARE 13.56 Mhz
- Mechanical Key

#### User Management

- 9 Admins & 291 Users
- 10 Repeat Schedule Users
- Unlocking Records & Notification

#### Easy Operation

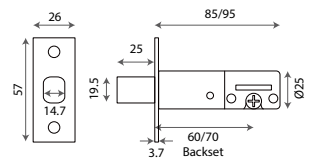
- Touch Screen
- Passage Mode
- Magnetic Sensor (Optional)

#### High Security

- Automatic Locking
- Mortise SUS 304
- With Privacy Button
- Hardened Solid Deadbolt
- Dual Verification Mode
- Anti-Theft Fake PIN
- Dust & Splash Proof

#### Battery

- Low Battery Notification
- Alkaline AA x 4pcs
- Micro-USB Backup Port



Supported by





**PALOMA**<sup>®</sup>

HIGH QUALITY ARCHITECTURAL HARDWARE

---

**Smart Cylinder**

**701**

---



# Smart Cylinder 701

## DLP 701B: Black (Tuya Bluetooth)



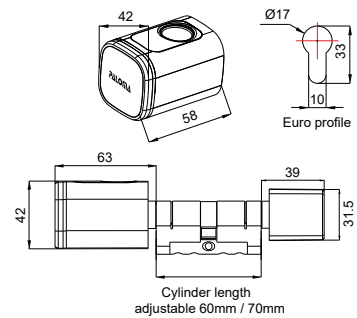
### Capacity Admin & User

Fingerprint : max 100  
RFID Card : max 200

Fingerprint + RFID Card : max 200

## Specification

- Panel material: Aluminium alloy, brass and stainless steel SUS 304
- Cylinder & Key: Full brass, high security grade
- Fingerprint sensor: Semiconductor capacitive (FPC Sweden)
- RFID reader: Non-contact induction (MIFARE 1K 13.56 Mhz)
- Power Backup Port: Type-C
- Voltage: DC 4.5 - 6.0 V
- Operating Temperature: -10°C - 60°C
- Operating Humidity: 10% - 95% RH



## Features

### Multiple Access

- Smartphone App (Android & iOS)
- Fingerprint
- RFID Card: MIFARE 13.56 Mhz
- Mechanical Key

### High Security

- High Security Cylinder
- High Security Mechanical Key
- Dual Verification Mode

### User Management

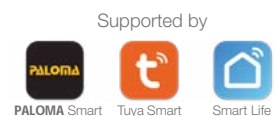
- 200 Total Access Points
- Admin & User
- Unlocking Records & Notification

### Battery

- Lithium Battery CR123A x 1pc
- Low Battery Notification
- Type-C Backup Port

### Easy Operation

- Passage Mode
- Easy Installation
- Cylinder Length Adjustable 60/70mm
- TUYA Gateway Ready (not included)



# Smart Cylinder 701

## DLP 701S: Silver (Tuya Bluetooth)



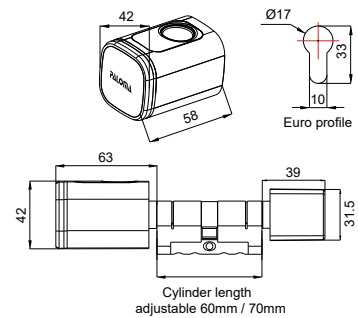
### Capacity Admin & User

Fingerprint : max 100  
RFID Card : max 200

Fingerprint + RFID Card : max 200

## Specification

- Panel material: Aluminium alloy, brass and stainless Steel SUS 304
- Cylinder & Key: Full brass, high security grade
- Fingerprint sensor: Semiconductor capacitive (FPC Sweden)
- RFID reader: Non-contact induction (MIFARE 1K 13.56 Mhz)
- Power Backup Port: Type-C
- Voltage: DC 4.5 - 6.0 V
- Operating Temperature: -10°C - 60°C
- Operating Humidity: 10% - 95% RH



## Features

### Multiple Access

- Smartphone App (Android & iOS)
- Fingerprint
- RFID Card: MIFARE 13.56 Mhz
- Mechanical Key

### High Security

- High Security Cylinder
- High Security Mechanical Key
- Dual Verification Mode

### User Management

- 200 Total Access Points
- Admin & User
- Unlocking Records & Notification

### Battery

- Lithium Battery CR123A x 1pc
- Low Battery Notification
- Type-C Backup Port

### Easy Operation

- Passage Mode
- Easy Installation
- Cylinder Length Adjustable 60/70mm
- TUYA Gateway Ready (not included)

Supported by



**PALOMA**<sup>®</sup>

HIGH QUALITY ARCHITECTURAL HARDWARE

---

**Digital Lock**

**2100**

Series

---



SMART LOCK



Three small, round buttons are located below the screen.



## **SEMICONDUCTOR BIOMETRIC**

Fast fingerprint identification.

Accurate reading in all orientation 360°.



## **HIGH HARDNESS TEMPERED GLASS**

Tough and scratch resistant.









**CHILD-PROOF INSIDE HANDLE**

**FINGERPRINT ON HANDLE**



**USB TYPE-C BACKUP PORT**



**DIGITAL LOCK  
WITH CAMERA  
AS DOOR VIEWER**

**SEND GUEST PHOTO  
TO PHONE**



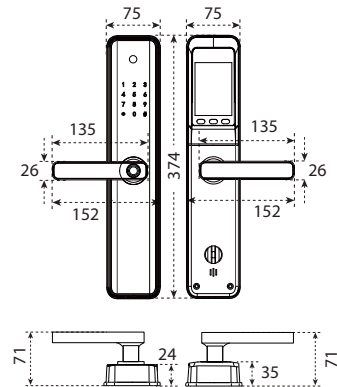
# Digital Lock 2100

## DLP 2138: Black (Tuya Wi-Fi)



### Specification

- Panel material: Aluminium alloy, tempered glass
- Mortise: Full stainless steel SUS 304, backset 60mm
- Cylinder & Key: Full brass, high security grade
- Fingerprint sensor: Semiconductor capacitive (FPC Sweden)
- RFID reader: Non-contact induction (MIFARE 1K 13.56 Mhz)
- Numpad: Touchscreen
- Power Backup Port: Micro-USB
- Voltage: DC 4.5 - 6.0 V
- Operating Temperature: -10°C - 60°C
- Operating Humidity: 10% - 95% RH



### Features

#### Multiple Access

- Smartphone App (Android & iOS)
- Fingerprint
- PIN Code
- RFID Card: MIFARE 13.56 Mhz
- Mechanical Key

#### User Management

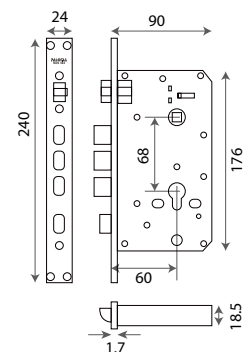
- 9 Admins & 291 Users
- 10 Repeat Schedule Users
- Unlocking Records & Notification

#### Easy Operation

- Camera as Door Viewer
- Send Guest Photo to Phone
- Turn Up Handle for Deadbolt
- Passage Mode

#### High Security

- Automatic Locking
- Mortise Full SUS 304
- With Privacy Deadbolt
- Hardened Solid Deadbolt
- High Security Cylinder & Key
- Dual Verification Mode
- Anti-Theft Fake PIN
- Anti-Burglar Alarm
- Dust & Splash Proof



#### Battery

- Low Battery Notification
- Alkaline AA x 4pcs or 8pcs
- Micro-USB Backup Port

Supported by



**DLP 2131: Black (Tuya Wi-Fi)**  
**DLP 2136: Black (No App)**

**Door Thickness:**  
**32mm - 130mm**

**Door Frame:**  
**Min. 105mm**

Capacity Admin & User

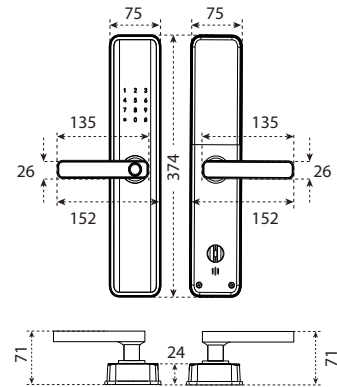
Fingerprint : max 100  
 RFID Card : max 300  
 PIN Code : max 300

Fingerprint  
 + RFID Card  
 + PIN Code : max 300



**Specification**

- Panel material: Aluminium alloy, tempered glass
- Mortise: Full stainless steel SUS 304, backset 60mm
- Cylinder & Key: Full brass, high security grade
- Fingerprint sensor: Semiconductor capacitive (FPC Sweden)
- RFID reader: Non-contact induction (MIFARE 1K 13.56 Mhz)
- Numpad: Touchscreen
- Power Backup Port: Micro-USB
- Voltage: DC 4.5 - 6.0 V
- Operating Temperature: -10°C - 60°C
- Operating Humidity: 10% - 95% RH



**Features**

**Multiple Access**

- Smartphone App (Android & iOS)
- Fingerprint
- PIN Code
- RFID Card: MIFARE 13.56 Mhz
- Mechanical Key

**User Management**

- 9 Admins & 291 Users
- 10 Repeat Schedule Users
- Unlocking Records & Notification

**Easy Operation**

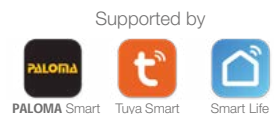
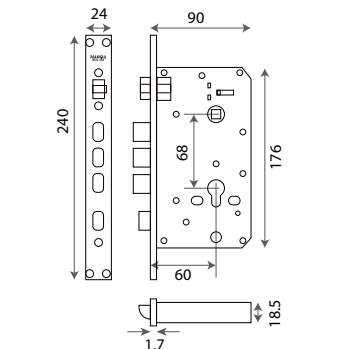
- Fingerprint on Handle
- Touch Screen
- Turn Up Handle for Deadbolt
- Passage Mode

**High Security**

- Automatic Locking
- Mortise Full SUS 304
- With Privacy Deadbolt
- Hardened Solid Deadbolt
- High Security Cylinder & Key
- Dual Verification Mode
- Anti-Theft Fake PIN
- Anti-Burglar Alarm
- Dust & Splash Proof

**Battery**

- Low Battery Notification
- Alkaline AA x 4pcs or 8pcs
- Micro-USB Backup Port



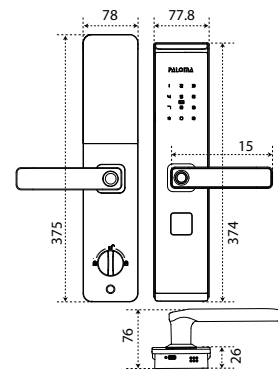
# Digital Lock 2100

## DLP 2101: Titanium Grey (Tuya Wi-Fi)



### Specification

- Panel material: Aluminium alloy, polycarbonate
- Mortise: Full stainless steel SUS 304, backset 60mm
- Cylinder & Key: Full brass, high security grade
- Fingerprint sensor: Semiconductor capacitive (FPC Sweden)
- RFID reader: Non-contact induction (MIFARE 1K 13.56 Mhz)
- Numpad: Touchscreen
- Power Backup Port: USB type-C
- Voltage: DC 4.5 - 6.0 V
- Operating Temperature: -10°C - 60°C
- Operating Humidity: 10% - 95% RH



### Features

#### Multiple Access

- Smartphone App (Android & iOS)
- Fingerprint
- PIN Code
- RFID Card: MIFARE 13.56 Mhz
- Mechanical Key

#### User Management

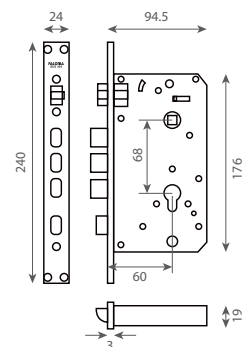
- 9 Admins & 291 Users
- 10 Temporary Users
- Unlocking Records & Notification

#### Easy Operation

- Fingerprint on Handle
- Touch Screen
- Turn Up Handle for Deadbolt
- Passage Mode

#### High Security

- Automatic Locking
- Mortise Full SUS 304
- With Privacy Deadbolt
- Hardened Solid Deadbolt
- High Security Cylinder & Key
- Dual Verification Mode
- Anti-Theft Fake PIN
- Anti-Burglar Alarm
- Child Proof Inside Handle
- Dust & Splash Proof



#### Battery

- Low Battery Notification
- Alkaline AA x 4pcs
- USB Type-C Backup Port

Supported by



**PALOMA<sup>®</sup>**

HIGH QUALITY ARCHITECTURAL HARDWARE

---

# Digital Lock

# 3100

---



1 2 3  
4 5 6  
7 8 9  
\* 0 #

**PALOMA**





# Digital Lock 3100

## DLP 3131YMB: Matte Black (Tuya Wi-Fi) DLP 3131NMB: Matte Black (No App)

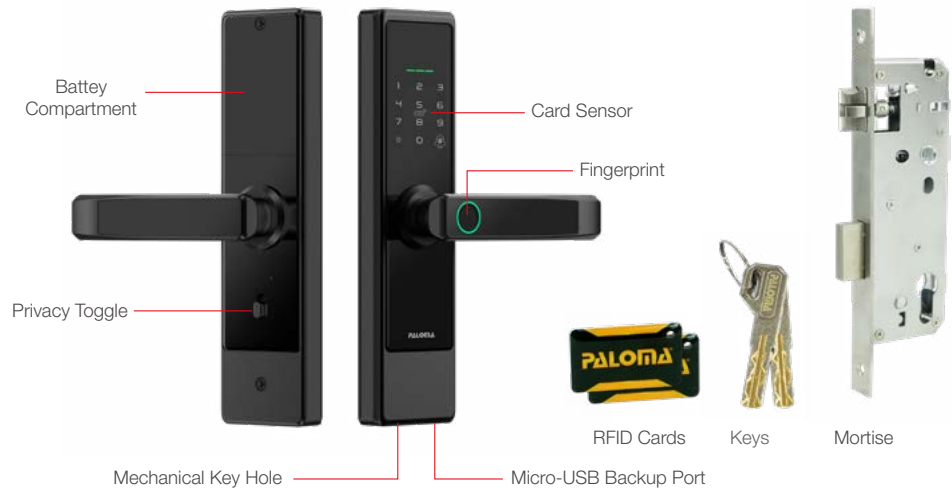
**Door Thickness:**  
35mm - 75mm

**Door Frame:**  
Min. 76mm

### Capacity Admin & User

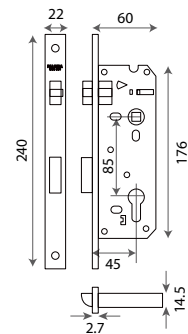
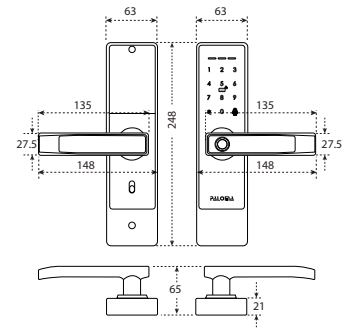
Fingerprint : max 100  
RFID Card : max 200  
PIN Code : max 200

Fingerprint  
+ RFID Card  
+ PIN Code : max 300



## Specification

- Panel material: Aluminium alloy, tempered glass
- Mortise: Stainless steel SUS 304, backset 45mm
- Cylinder & Key: Full brass, high security grade
- Fingerprint sensor: Semiconductor capacitive (FPC Sweden)
- RFID reader: Non-contact induction (MIFARE 1K 13.56 Mhz)
- Numpad: Touchscreen
- Power Backup Port: Type-C
- Voltage: DC 5.0 - 6.0 V
- Operating Temperature: -25°C - 60°C
- Operating Humidity: 20% - 90% RH



## Features

### Multiple Access

- Smartphone App (Android & iOS)
- Fingerprint
- PIN Code
- RFID Card: MIFARE 13.56 Mhz
- Mechanical Key

### High Security

- Automatic Locking
- Mortise SUS 304
- With Privacy Toggle
- Hardened Solid Deadbolt
- High Security Cylinder & Key
- Dual Verification Mode
- Anti-Theft Fake PIN
- Dust & Splash Proof

### User Management

- 9 Admins & 291 Users
- 10 Repeat Schedule Users
- Unlocking Records & Notification

### Battery

- Low Battery Notification
- Alkaline AA x 4pcs
- Type-C Backup Port

### Easy Operation

- Fingerprint on Handle
- Turn Up Handle for Deadbolt
- Passage Mode
- Door Bell

Supported by





## DLP 3121: Black (Tuya Wi-Fi)

**Door Thickness:**  
33mm - 60mm

**Door Frame:**  
Min. 85mm

### Capacity Admin & User

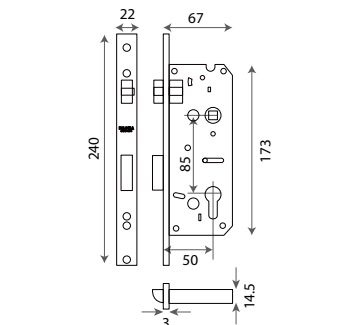
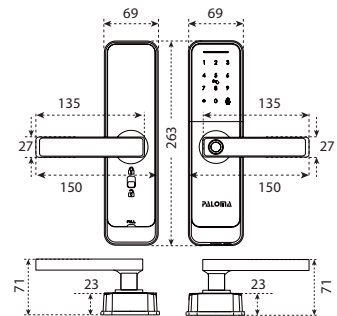
Fingerprint : max 100  
RFID Card : max 300  
PIN Code : max 300

Fingerprint  
+ RFID Card  
+ PIN Code : max 300



## Specification

- Panel material: Aluminium alloy, tempered glass
- Mortise: Stainless steel SUS 304, backset 50mm
- Cylinder & Key: Full brass, high security grade
- Fingerprint sensor: Semiconductor capacitive (FPC Sweden)
- RFID reader: Non-contact induction (MIFARE 1K 13.56 Mhz)
- Numpad: Touchscreen
- Power Backup Port: Micro-USB
- Voltage: DC 4.5 - 6.0 V
- Operating Temperature: -10°C - 60°C
- Operating Humidity: 10% - 95% RH



## Features

### Multiple Access

- Smartphone App (Android & iOS)
- Fingerprint
- PIN Code
- RFID Card: MIFARE 13.56 Mhz
- Mechanical Key

### User Management

- 9 Admins & 291 Users
- 10 Repeat Schedule Users
- Unlocking Records & Notification

### Easy Operation

- Fingerprint on Handle
- Turn Up Handle for Deadbolt
- Passage Mode
- Door Bell

### High Security

- Automatic Locking
- Mortise SUS 304
- With Privacy Toggle
- Hardened Solid Deadbolt
- High Security Cylinder & Key
- Dual Verification Mode
- Anti-Theft Fake PIN
- Dust & Splash Proof

### Battery

- Low Battery Notification
- Alkaline AA x 4pcs
- Micro-USB Backup Port

Supported by



**PALOMA<sup>®</sup>**

HIGH QUALITY ARCHITECTURAL HARDWARE

---

# Digital Lock 516

---



**DLP 516B: Black (Tuya Wi-Fi)**

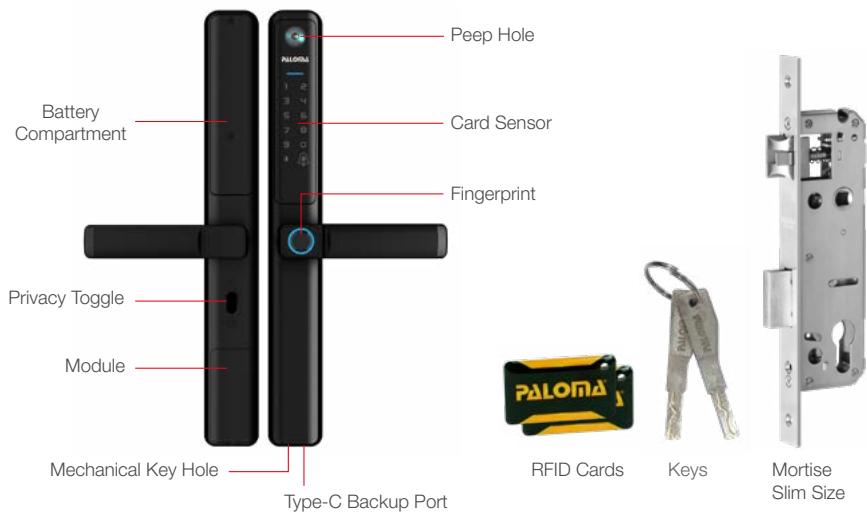
**Door Thickness:**  
35mm - 70mm

**Door Frame:**  
Min. 55mm

Capacity Admin & User

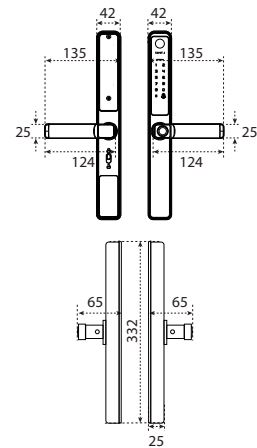
Fingerprint : max 100  
RFID Card : max 300  
PIN Code : max 300

Fingerprint  
+ RFID Card  
+ PIN Code : max 300



**Specification**

- Panel material: Aluminium alloy, tempered glass
- Mortise: Stainless steel SUS 304, backset 35mm
- Cylinder & Key: Full brass, high security grade
- Fingerprint sensor: Semiconductor capacitive (FPC Sweden)
- RFID reader: Non-contact induction (MIFARE 1K 13.56 Mhz)
- Numpad: Touchscreen
- Power Backup Port: Type-C
- Voltage: DC 4.5 - 6.0 V
- Operating Temperature: -20°C - 50°C
- Operating Humidity: 10% - 95% RH



**Features**

**Multiple Access**

- Smartphone App (Android & iOS)
- Fingerprint
- PIN Code
- RFID Card: MIFARE 13.56 Mhz
- Mechanical Key

**User Management**

- 9 Admins & 291 Users
- Unlocking Records & Notification

**Easy Operation**

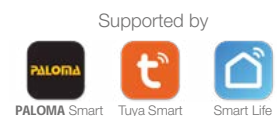
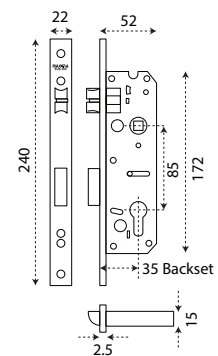
- Turn Up Handle for Deadbolt
- Passage Mode
- Door Bell

**High Security**

- Automatic Locking
- With Privacy Toggle
- Mortise SUS 304
- Hardened Solid Deadbolt
- High Security Cylinder & Key
- Dual Verification Mode
- Anti-Theft Fake PIN
- Dust & Splash Proof

**Battery**

- Low Battery Notification
- Alkaline AA x 4pcs
- Type-C Backup Port



## DLP 516S: Silver (Tuya Wi-Fi)

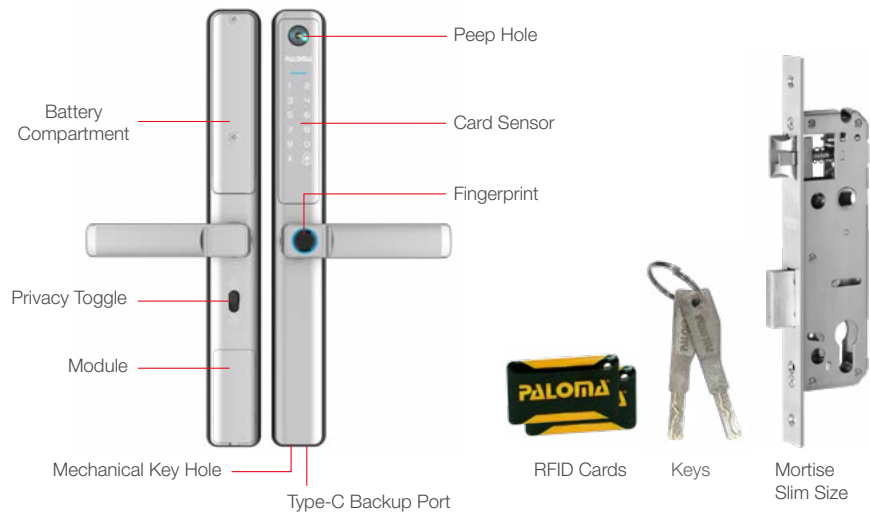
**Door Thickness:**  
35mm - 70mm

**Door Frame:**  
Min. 55mm

### Capacity Admin & User

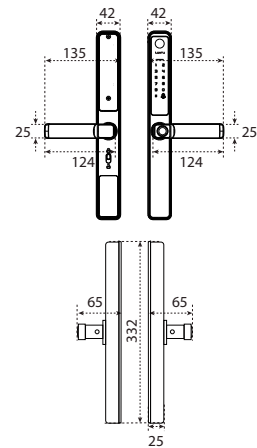
Fingerprint : max 100  
RFID Card : max 300  
PIN Code : max 300

Fingerprint  
+ RFID Card  
+ PIN Code : max 300



## Specification

- Panel material: Aluminium alloy, tempered glass
- Mortise: Stainless steel SUS 304, backset 35mm
- Cylinder & Key: Full brass, high security grade
- Fingerprint sensor: Semiconductor capacitive (FPC Sweden)
- RFID reader: Non-contact induction (MIFARE 1K 13.56 Mhz)
- Numpad: Touchscreen
- Power Backup Port: Type-C
- Voltage: DC 4.5 - 6.0 V
- Operating Temperature: -20°C - 50°C
- Operating Humidity: 10% - 95% RH



## Features

### Multiple Access

- Smartphone App (Android & iOS)
- Fingerprint
- PIN Code
- RFID Card: MIFARE 13.56 Mhz
- Mechanical Key

### User Management

- 9 Admins & 291 Users
- Unlocking Records & Notification

### Easy Operation

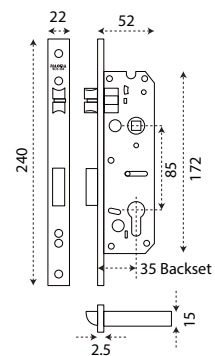
- Turn Up Handle for Deadbolt
- Passage Mode
- Door Bell

### High Security

- Automatic Locking
- With Privacy Toggle
- Mortise SUS 304
- Hardened Solid Deadbolt
- High Security Cylinder & Key
- Dual Verification Mode
- Anti-Theft Fake PIN
- Dust & Splash Proof

### Battery

- Low Battery Notification
- Alkaline AA x 4pcs
- Type-C Backup Port



Supported by





**PALOMA<sup>®</sup>**

HIGH QUALITY ARCHITECTURAL HARDWARE

---

# Digital Lock

# 5100

---



PALOMA



- 1 2
- 3 4
- 5 6
- 7 8
- 9 0
- \* #



PALOMA 040

**DLP 5121: Matte Black (Tuya Wi-Fi)**

**Door Thickness:**  
30mm - 60mm

**Door Frame:**  
Min. 51mm

Capacity Admin & User

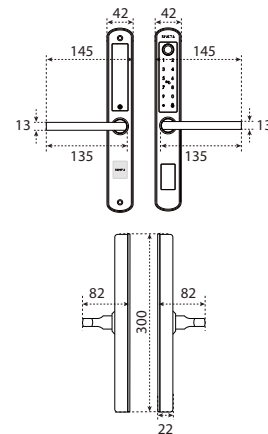
Fingerprint : max 100  
RFID Card : max 300  
PIN Code : max 300

Fingerprint  
+ RFID Card  
+ PIN Code : max 300



**Specification**

- Panel material: Full stainless steel SUS 304, acrylic
- Mortise: Stainless steel SUS 304, backset 35mm
- Cylinder & Key: Full brass, high security grade
- Fingerprint sensor: Semiconductor capacitive (FPC Sweden)
- RFID reader: Non-contact induction (MIFARE 1K 13.56 Mhz)
- Numpad: Touchscreen
- Power Backup Port: Micro-USB
- Voltage: DC 4.5 - 6.0 V
- Operating Temperature: -10°C - 60°C
- Operating Humidity: 10% - 95% RH



**Features**

**Multiple Access**

- Smartphone App (Android & iOS)
- Fingerprint
- PIN Code
- RFID Card: MIFARE 13.56 Mhz
- Mechanical Key

**High Security**

- Automatic Locking
- Mortise SUS 304
- Hardened Solid Deadbolt
- High Security Cylinder & Key
- Dual Verification Mode
- Anti-Theft Fake PIN
- Dust & Splash Proof

**User Management**

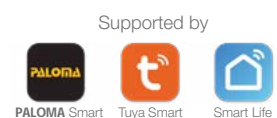
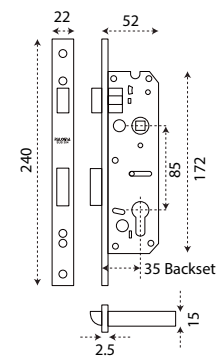
- 9 Admins & 291 Users
- 10 Repeat Schedule Users
- Unlocking Records & Notification

**Battery**

- Low Battery Notification
- Alkaline AAA x 4pcs
- Micro-USB Backup Port

**Easy Operation**

- Turn Up Handle for Deadbolt
- Passage Mode
- Door Bell



# Digital Lock 5100

## DLP 5122: Satin + Polished (Tuya Wi-Fi)

**Door Thickness:**  
30mm - 60mm

**Door Frame:**  
Min. 51mm

### Capacity Admin & User

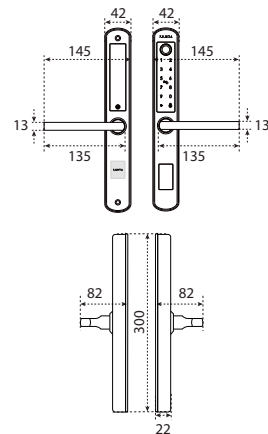
Fingerprint : max 100  
RFID Card : max 300  
PIN Code : max 300

Fingerprint  
+ RFID Card  
+ PIN Code : max 300



## Specification

- Panel material: Full stainless steel SUS 304, acrylic
- Mortise: Stainless steel SUS 304, backset 35mm
- Cylinder & Key: Full brass, high security grade
- Fingerprint sensor: Semiconductor capacitive (FPC Sweden)
- RFID reader: Non-contact induction (MIFARE 1K 13.56 Mhz)
- Numpad: Touchscreen
- Power Backup Port: Micro-USB
- Voltage: DC 4.5 - 6.0 V
- Operating Temperature: -10°C - 60°C
- Operating Humidity: 10% - 95% RH



## Features

### Multiple Access

- Smartphone App (Android & iOS)
- Fingerprint
- PIN Code
- RFID Card: MIFARE 13.56 Mhz
- Mechanical Key

### High Security

- Automatic Locking
- Mortise SUS 304
- Hardened Solid Deadbolt
- High Security Cylinder & Key
- Dual Verification Mode
- Anti-Theft Fake PIN
- Dust & Splash Proof

### User Management

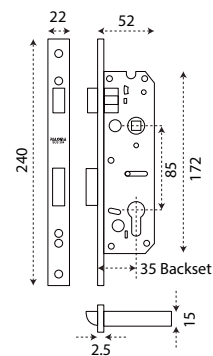
- 9 Admins & 291 Users
- 10 Repeat Schedule Users
- Unlocking Records & Notification

### Battery

- Low Battery Notification
- Alkaline AAA x 4pcs
- Micro-USB Backup Port

### Easy Operation

- Turn Up Handle for Deadbolt
- Passage Mode
- Door Bell



Supported by





