

The Key to  
Excellent  
Living



# PALOMA®

EXCELLENT ARCHITECTURAL HARDWARE



## HIGH QUALITY INVISIBLE HINGE P100

-  Full Stainless Steel  
SUS 304 Material
-  Rust & Corrosion  
Resistant
-  Strong Precise  
Construction
-  Ultra Heavy  
Duty



Posisi pintu dapat diatur:

- Atas - bawah  $\pm 2.5\text{mm}$  (total 5mm)
- Kanan - kiri  $\pm 2.5\text{mm}$  (total 5mm)
- Maju - mundur  $\pm 1\text{mm}$  (total 2mm)



**SUITABLE FOR  
ALUMINIUM,  
WOOD OR  
METAL DOORS  
& FRAMES**

~~Rp 2.950.000,-~~

**Rp 1.593.000,-**

\*Diskon 40%+10% untuk IHP 311

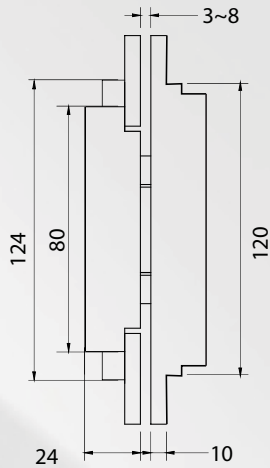
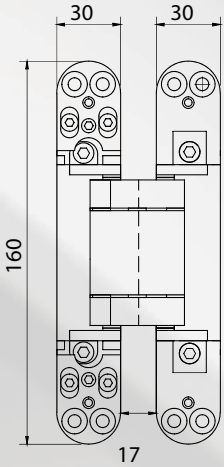
**Rp 1.770.000,-**

\*Diskon 40% untuk IHP 312 dan IHP 313

**IHP 313**  
PVD Satin Gold

- Max. Kapasitas Pintu : 100kg / 2pcs
- Max. Lebar Pintu : 900mm
- Max. Tinggi Pintu : 2400mm / 3pcs  
: 2800mm / 4pcs
- Max. Buka Pintu : 150°
- Ketebalan Pintu : 38mm ~ 55mm

Available:



**IHP 311**  
Satin Stainless Steel



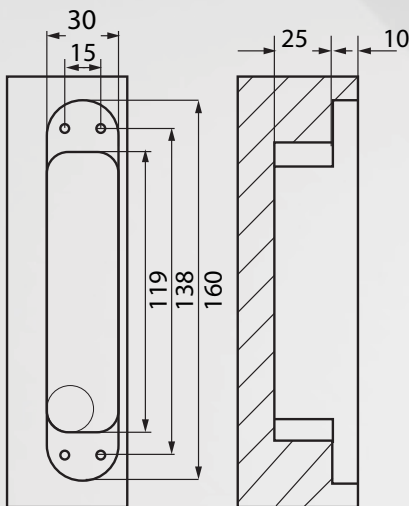
**IHP 312**  
Satin Black



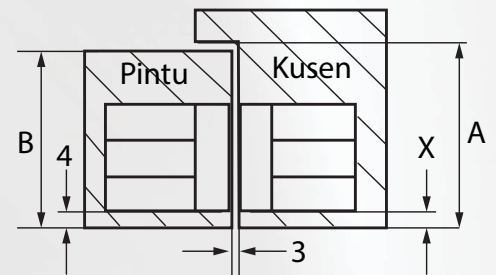
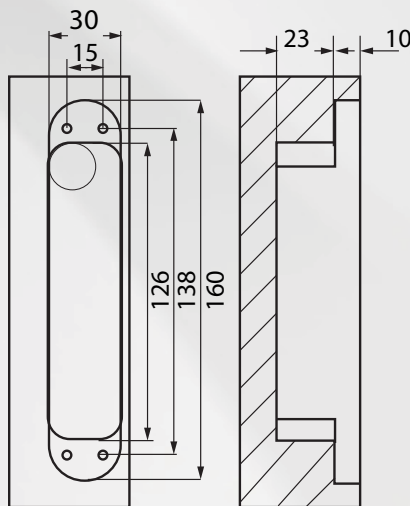
**IHP 313**  
PVD Satin Gold

## Gambar Bobokan Invisible Hinge (mm)

Sisi Pintu



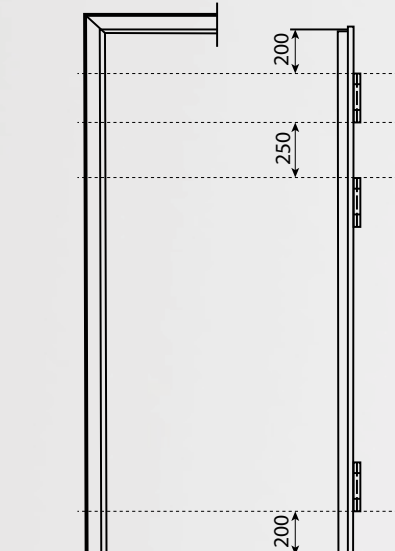
Sisi Kusen



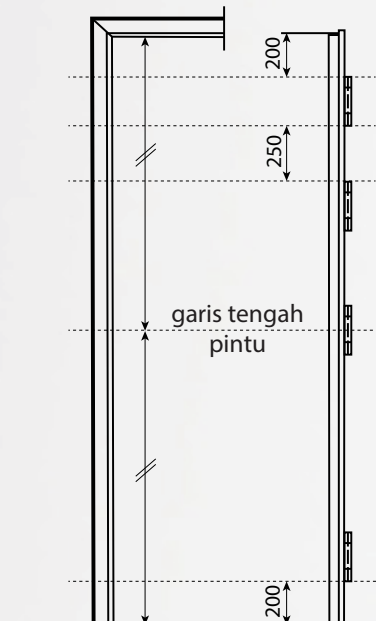
A = Kedalaman kusen  
B = Ketebalan pintu  
X = A - B + 4mm (X = 4 ~ 5mm)

Pengaplikasian berdasarkan tinggi pintu:

≤ 2400mm (3 Engsel)



2400 ~ 2700mm (4 Engsel)



Engsel ke 3 menambah 25% berat kapasitas 2 engsel.

Engsel ke 4 menambah 20% dari total kapasitas 2 engsel.

Contoh:

Penggunaan engsel 100kg per pair  
2 engsel: 100kg

3 engsel: 100kg + 25kg = 125kg

4 engsel: 100kg + 25kg + 20kg = 145kg

More info please contact:

info@palomahardware.com



Phone: 021 2246 7660, WA: 0812 1000 989



# PALOMA®

EXCELLENT ARCHITECTURAL HARDWARE



## HIGH QUALITY INVISIBLE HINGE P100N

-  Full Stainless Steel  
SUS 304 Material
-  Rust & Corrosion  
Resistant
-  Strong Precise  
Construction
-  Ultra Heavy  
Duty



- Posisi pintu dapat diatur:
- Atas - bawah  $\pm 3\text{mm}$  (total 6mm)
  - Kanan - kiri  $\pm 1.5\text{mm}$  (total 3mm)
  - Maju - mundur  $\pm 1.5\text{mm}$  (total 3mm)



**SUITABLE FOR  
ALUMINIUM,  
WOOD OR  
METAL DOORS  
& FRAMES**

~~Rp 2.950.000,-~~

**Rp 1.593.000,-**

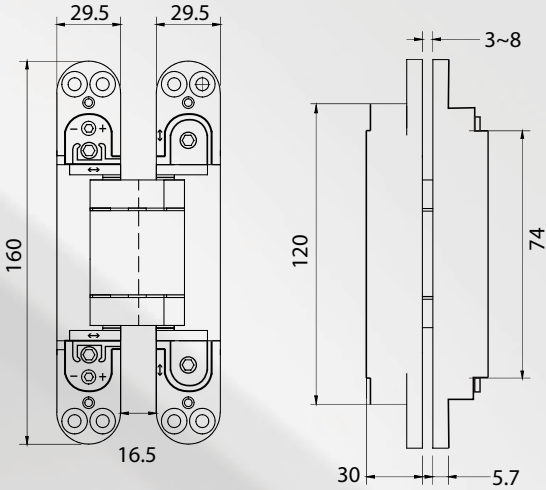
\*Diskon 40%+10% untuk IHP 321

**Rp 1.770.000,-**

\*Diskon 40% untuk IHP 322

**IHP 322**  
Satin Black

- Max. Kapasitas Pintu : 100kg / 2pcs
- Max. Lebar Pintu : 950mm
- Max. Tinggi Pintu : 2400mm / 3pcs  
: 2800mm / 4pcs
- Max. Buka Pintu : 180°
- Ketebalan Pintu : 38mm ~ 55mm

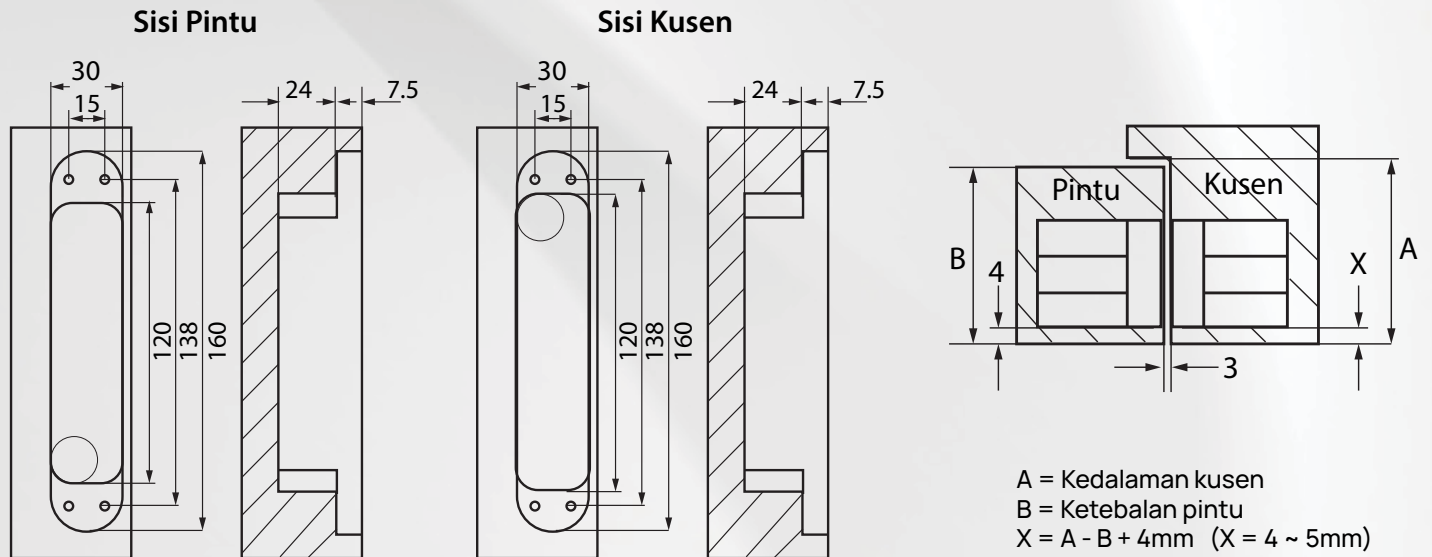


**IHP 321**  
Satin Stainless Steel

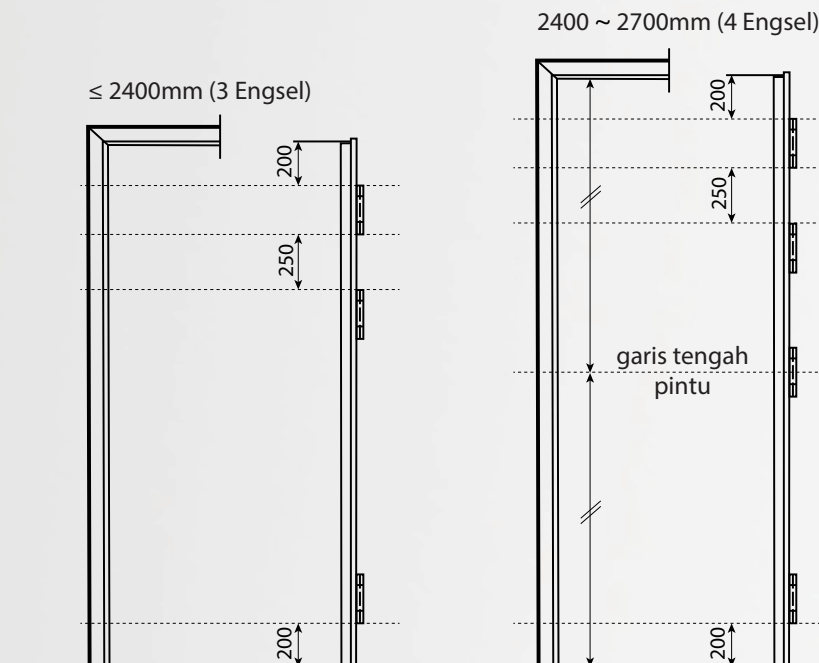


**IHP 322**  
Satin Black

**Gambar Bobokan Invisible Hinge (mm)**



Pengaplikasian berdasarkan tinggi pintu:



Engsel ke 3 menambah 25% berat kapasitas 2 engsel.  
Engsel ke 4 menambah 20% dari total kapasitas 2 engsel.

Contoh:  
Penggunaan engsel 100kg per pair  
2 engsel: 100kg  
3 engsel: 100kg + 25kg = 125kg  
4 engsel: 100kg + 25kg + 20kg = 145kg

More info please contact:

info@palomahardware.com

Phone: 021 2246 7660, WA: 0812 1000 989



# PALOMA®

EXCELLENT ARCHITECTURAL HARDWARE



## HIGH QUALITY INVISIBLE HINGE P120



**SUPERALUM**  
Material



**Rust & Corrosion**  
Resistant



**Strong Precise**  
Construction



**Heavy**  
Duty



Posisi pintu dapat diatur:

- Atas - bawah  $\pm 2.5\text{mm}$  (total 5mm)
- Kanan - kiri  $\pm 1\text{mm}$  (total 2mm)
- Maju - mundur  $\pm 1\text{mm}$  (total 2mm)



Discount  
**40%**

~~Rp 1100.000,-~~

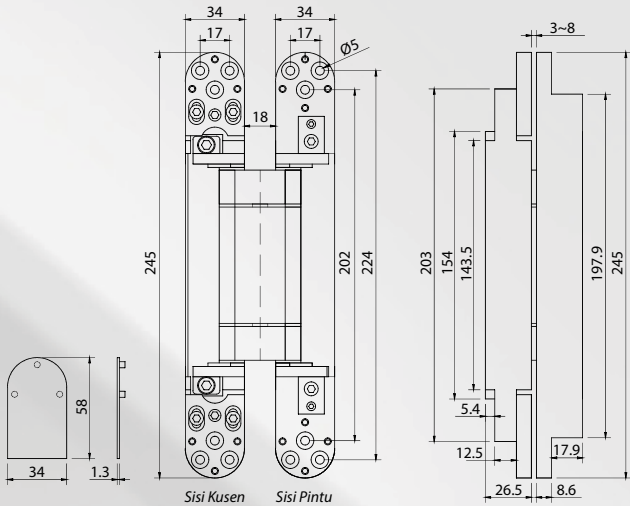
**Rp 660.000,-**

\* Untuk IHP 803, IHP 806 dan IHP 809

**IHP 806**  
Matte Black

Max. Kapasitas Pintu : 120kg / 2pcs  
Max. Tinggi Pintu  
1800mm ~ 2000mm : 2pcs  
2100mm ~ 2500mm : 3pcs  
2600mm ~ 3000mm : 4pcs  
Max. Bukaan Pintu : 150°  
Ketebalan Pintu : 42mm ~ 60mm

Available:



**IHP 803**  
Natural Anodized

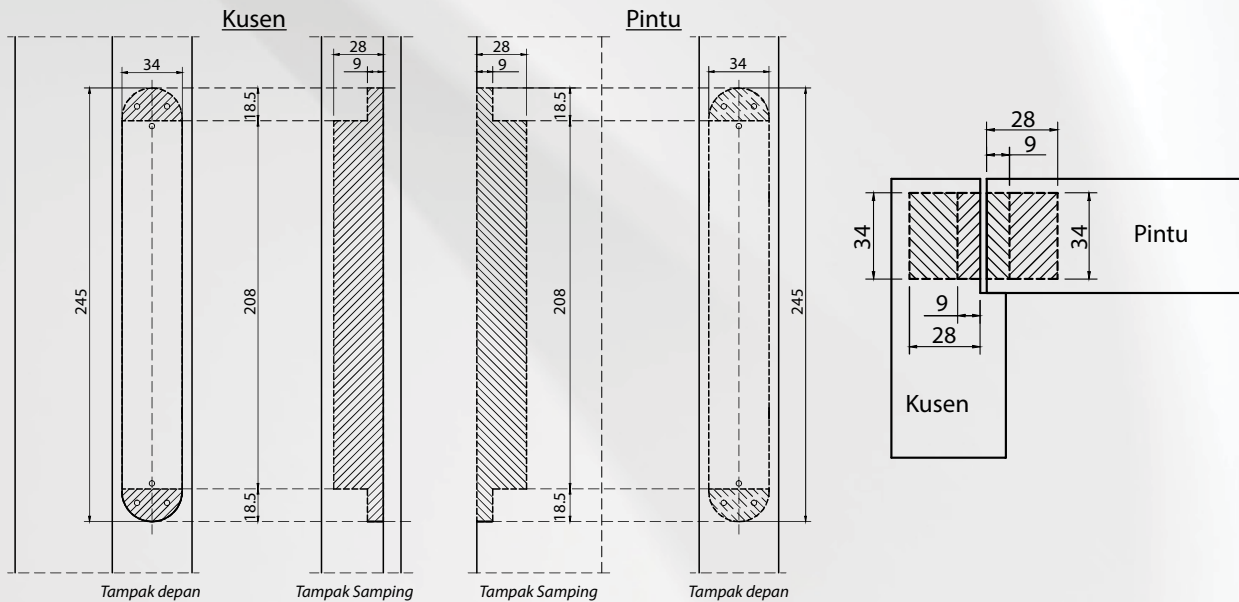


**IHP 806**  
Matte Black

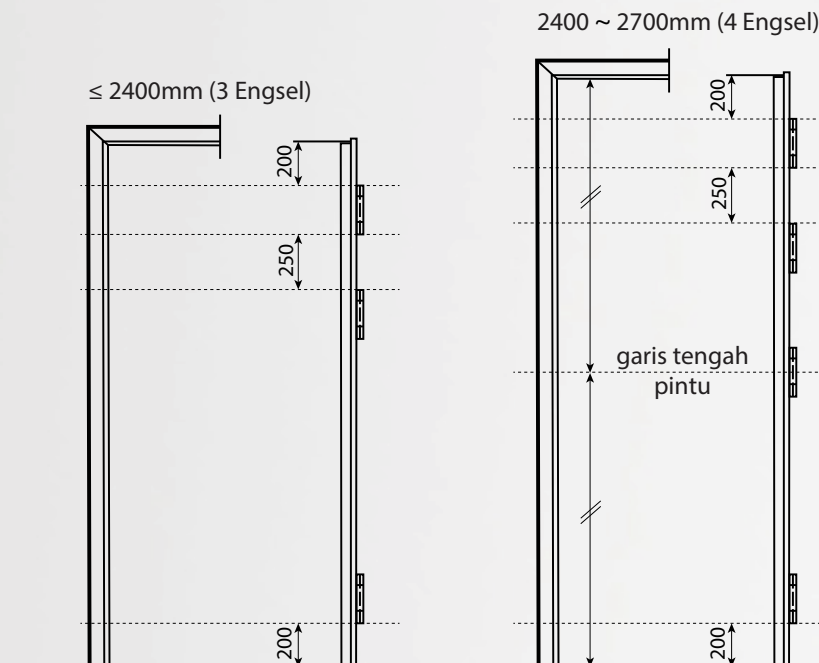


**IHP 809**  
Matte White

## Gambar Bobokan Invisible Hinge (mm)



Pengaplikasian berdasarkan tinggi pintu:



Engsel ke 3 menambah 25% berat kapasitas 2 engsel.  
Engsel ke 4 menambah 20% dari total kapasitas 2 engsel.

Contoh:  
Penggunaan engsel 120kg per pair  
2 engsel: 120kg  
3 engsel: 120kg + 30kg = 150kg  
4 engsel: 120kg + 30kg + 24kg = 174kg

More info please contact:

info@palomahardware.com

Phone: 021 2246 7660, WA: 0812 1000 989





# PALOMA®

EXCELLENT ARCHITECTURAL HARDWARE



## HIGH QUALITY INVISIBLE HINGE P80



**SUPERALUM**  
Material



Rust & Corrosion  
Resistant



Strong Precise  
Construction



Heavy  
Duty



Posisi pintu dapat diatur:

- Atas - bawah  $\pm 2\text{mm}$  (total 4mm)
- Kanan - kiri  $\pm 1.25\text{mm}$  (total 2.5mm)
- Maju - mundur  $\pm 1\text{mm}$  (total 2mm)



**SUITABLE FOR  
ALUMINIUM,  
WOOD OR  
METAL DOORS  
& FRAMES**

~~Rp 850.000,-~~

**Rp 459.000,-**

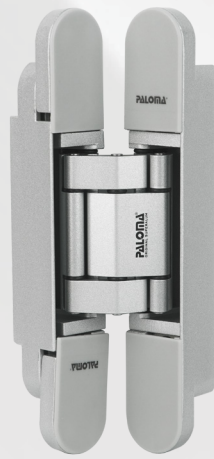
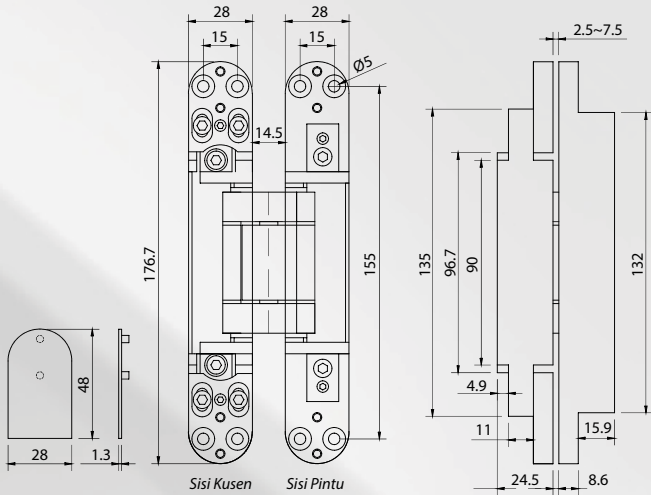
\*Diskon 40%+10% untuk IHP 802

**Rp 510.000,-**

\*Diskon 40% untuk IHP 805 dan IHP 808

**IHP 808**  
Matte White

Max. Kapasitas Pintu : 80kg / 2pcs  
Max. Tinggi Pintu  
1800mm ~ 2000mm : 2pcs  
2100mm ~ 2500mm : 3pcs  
2600mm ~ 3000mm : 4pcs  
Max. Bukaannya Pintu : 150°  
Ketebalan Pintu : 36mm ~ 50mm



**IHP 802**  
Natural Anodized

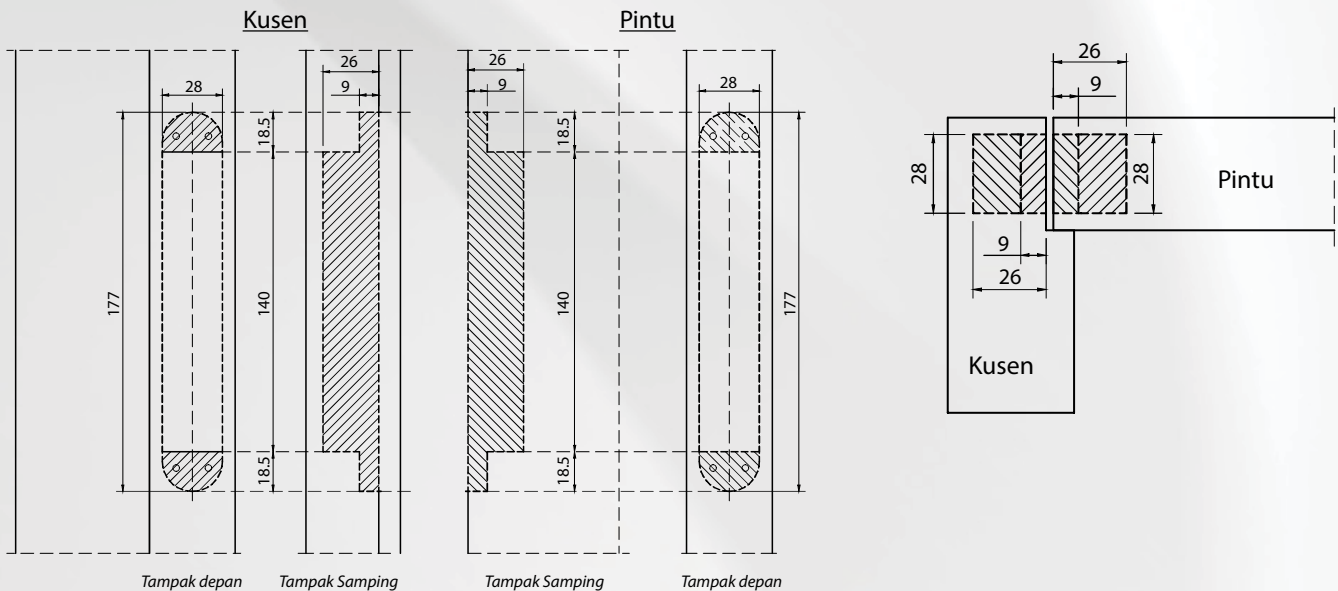


**IHP 805**  
Matte Black

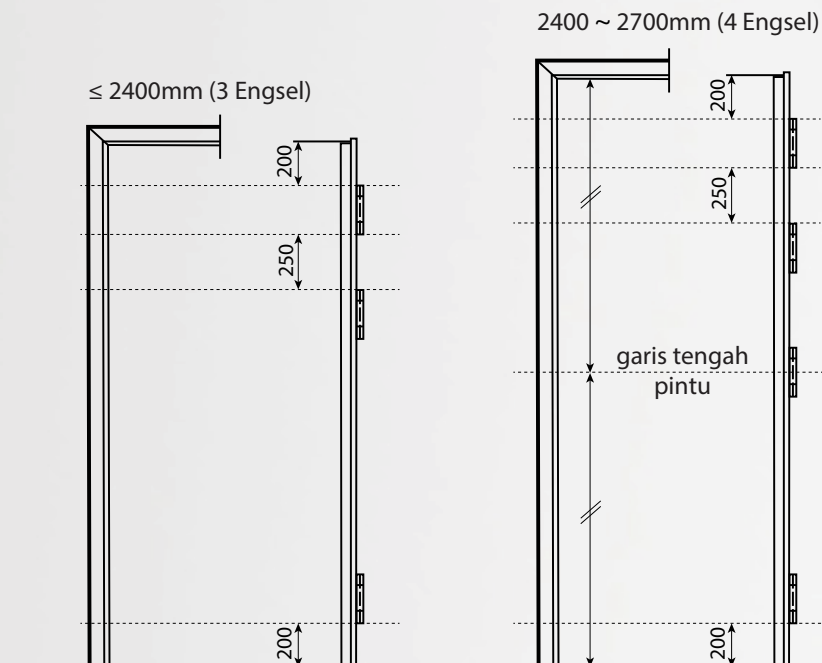


**IHP 808**  
Matte White

**Gambar Bobokan Invisible Hinge (mm)**



Pengaplikasian berdasarkan tinggi pintu:



Engsel ke 3 menambah 25% berat kapasitas 2 engsel.  
Engsel ke 4 menambah 20% dari total kapasitas 2 engsel.

Contoh:  
Penggunaan engsel 80kg per pair  
2 engsel: 80kg  
3 engsel: 80kg + 20kg = 100kg  
4 engsel: 80kg + 20kg + 16kg = 116kg

More info please contact:

[info@palomahardware.com](mailto:info@palomahardware.com)



Phone: 021 2246 7660, WA: 0812 1000 989



# PALOMA®

EXCELLENT ARCHITECTURAL HARDWARE



## HIGH QUALITY INVISIBLE HINGE P40



**SUPERALUM**  
Material



**Rust & Corrosion**  
Resistant



**Strong Precise**  
Construction

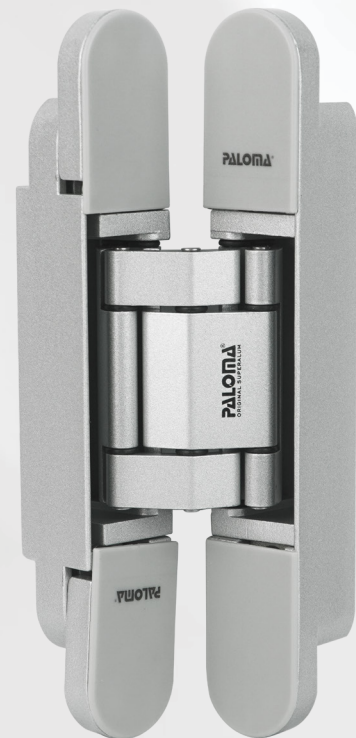


**Heavy**  
Duty



Posisi pintu dapat diatur:

- Atas - bawah  $\pm 2\text{mm}$  (total 4mm)
- Kanan - kiri  $\pm 1.25\text{mm}$  (total 2.5mm)
- Maju - mundur  $\pm 1\text{mm}$  (total 2mm)



~~Rp 750.000,-~~

**Rp 405.000,-**

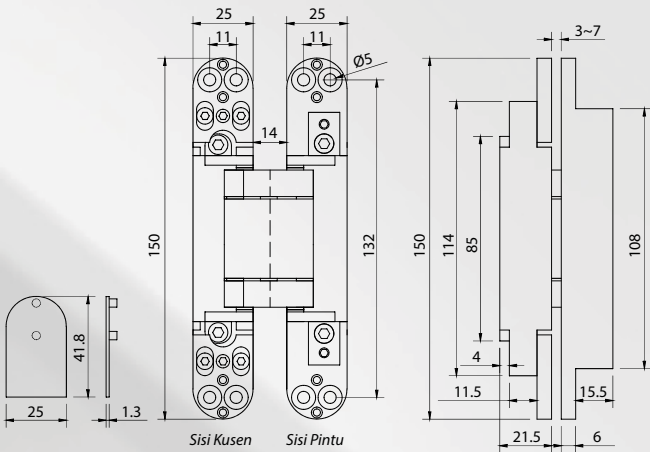
\*Diskon 40%+10% untuk IHP 801

**Rp 450.000,-**

\*Diskon 40% untuk IHP 804 dan IHP 807

**IHP 801**  
Natural Anodized

Max. Kapasitas Pintu : 40kg / 2pcs  
Max. Tinggi Pintu  
1800mm ~ 2000mm : 2pcs  
2100mm ~ 2500mm : 3pcs  
Max. Bukaan Pintu : 150°  
Ketebalan Pintu : 33mm ~ 45mm



**IHP 801**  
Natural Anodized



**IHP 804**  
Matte Black

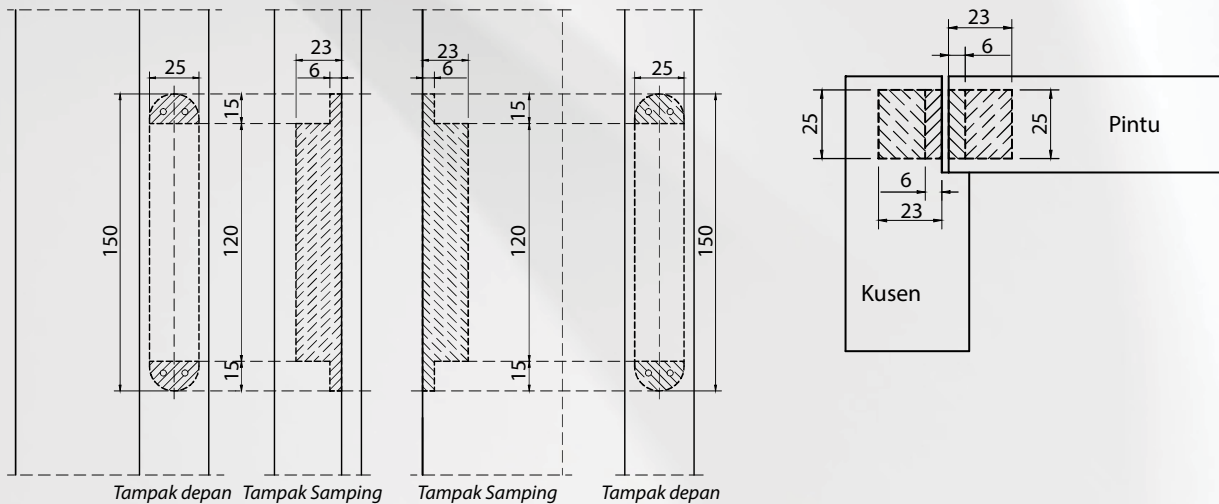


**IHP 807**  
Matte White

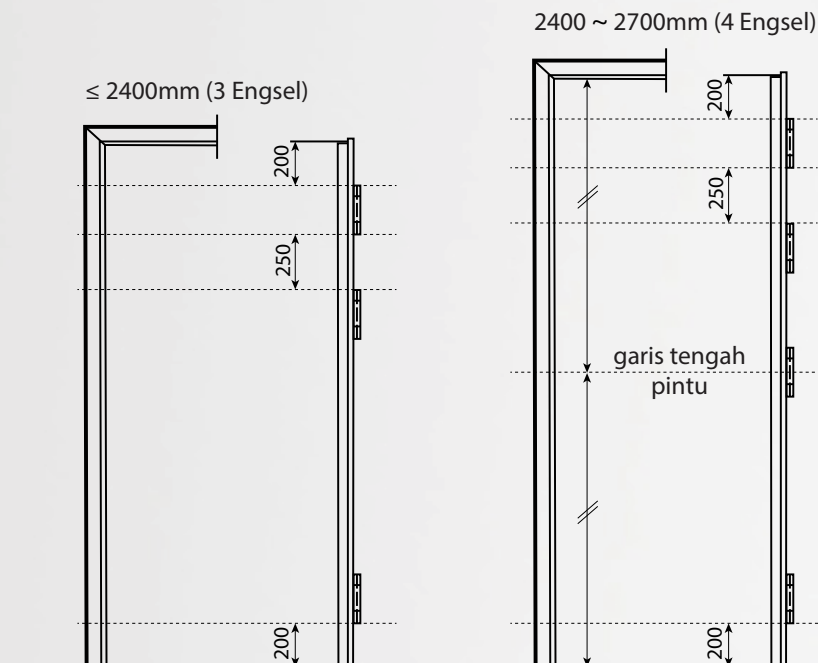
## Gambar Bobokan Invisible Hinge (mm)

Kusen

Pintu



Pengaplikasian berdasarkan tinggi pintu:



Engsel ke 3 menambah 25% berat kapasitas 2 engsel.  
Engsel ke 4 menambah 20% dari total kapasitas 2 engsel.

Contoh:  
Penggunaan engsel 40kg per pair  
2 engsel: 40kg  
3 engsel: 40kg + 10kg = 50kg  
4 engsel: 40kg + 10kg + 8kg = 58kg

More info please contact:

info@palomahardware.com

Phone: 021 2246 7660, WA: 0812 1000 989



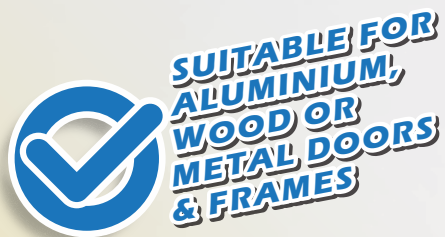
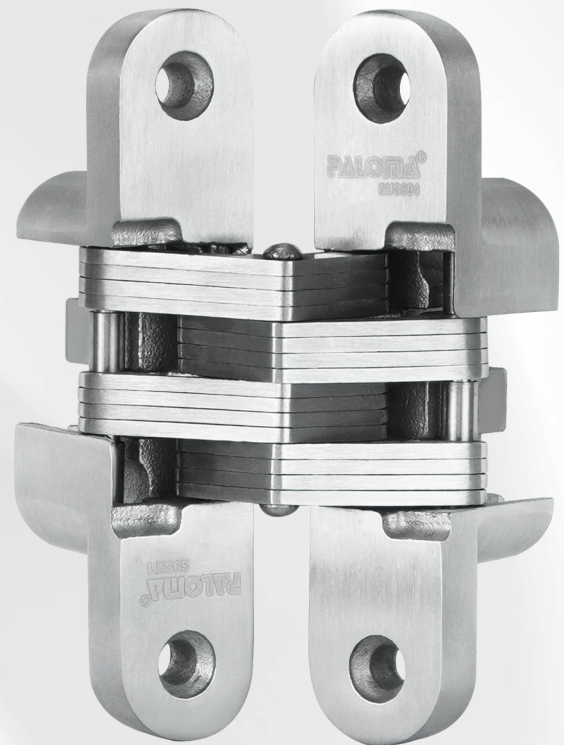
# PALOMA®

EXCELLENT ARCHITECTURAL HARDWARE



## HIGH QUALITY INVISIBLE HINGE P65

-  Full Stainless Steel  
SUS 304 Material
-  Rust & Corrosion  
Resistant
-  Strong Precise  
Construction
-  Heavy  
Duty



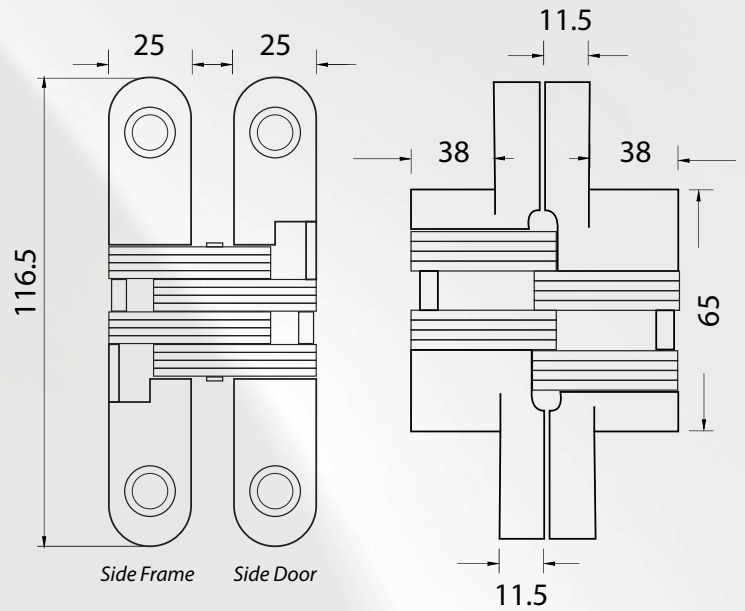
Discount  
**40%**

~~Rp 950.000,-~~

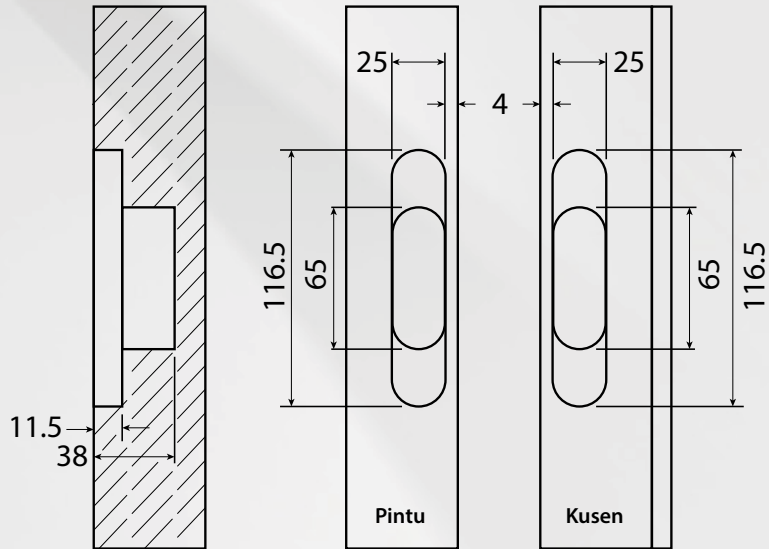
**Rp 570.000,-**

**IHP 213**  
Satin Stainless Steel

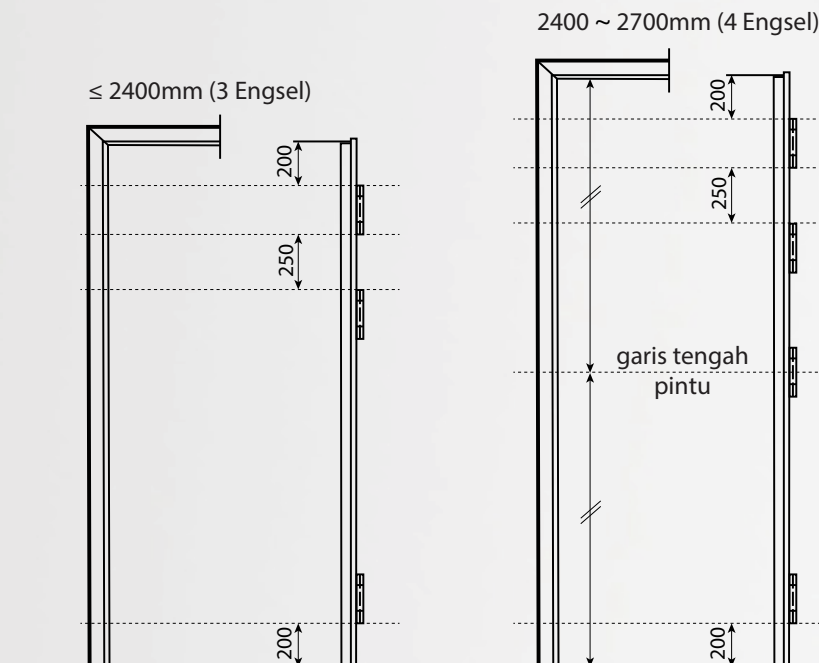
Max. Kapasitas Pintu : 65kg / 2pcs  
Max. Lebar Pintu : 800mm  
Max. Tinggi Pintu : 2400mm / 3pcs  
2700mm / 4pcs  
Ketebalan Pintu : 35mm ~ 45mm



**Gambar Bobokan Invisible Hinge (mm)**



Pengaplikasian berdasarkan tinggi pintu:



Engsel ke 3 menambah 25% berat kapasitas 2 engsel.  
Engsel ke 4 menambah 20% dari total kapasitas 2 engsel.

Contoh:  
Penggunaan engsel 65kg per pair  
2 engsel: 65kg  
3 engsel: 65kg + 16kg = 81kg  
4 engsel: 65kg + 16kg + 13kg = 94kg

More info please contact:

info@palomahardware.com

Phone: 021 2246 7660, WA: 0812 1000 989



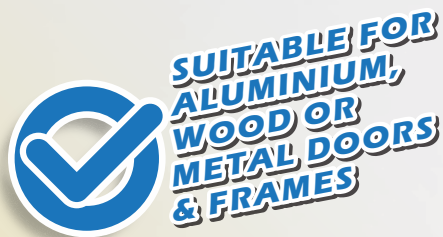
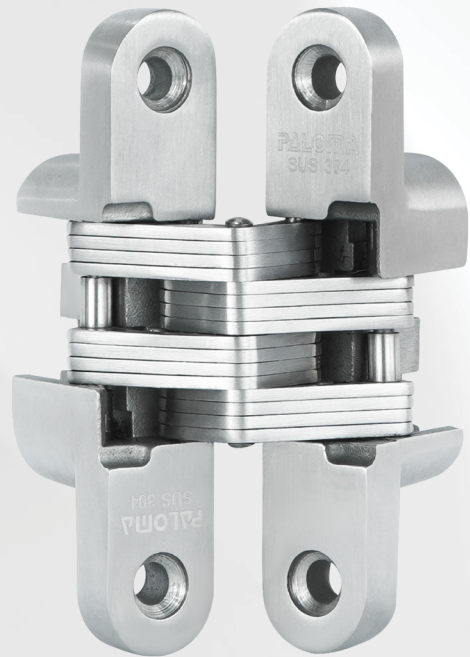
# PALOMA®

EXCELLENT ARCHITECTURAL HARDWARE



## HIGH QUALITY INVISIBLE HINGE P50

-  Full Stainless Steel  
SUS 304 Material
-  Rust & Corrosion  
Resistant
-  Strong Precise  
Construction
-  Heavy  
Duty



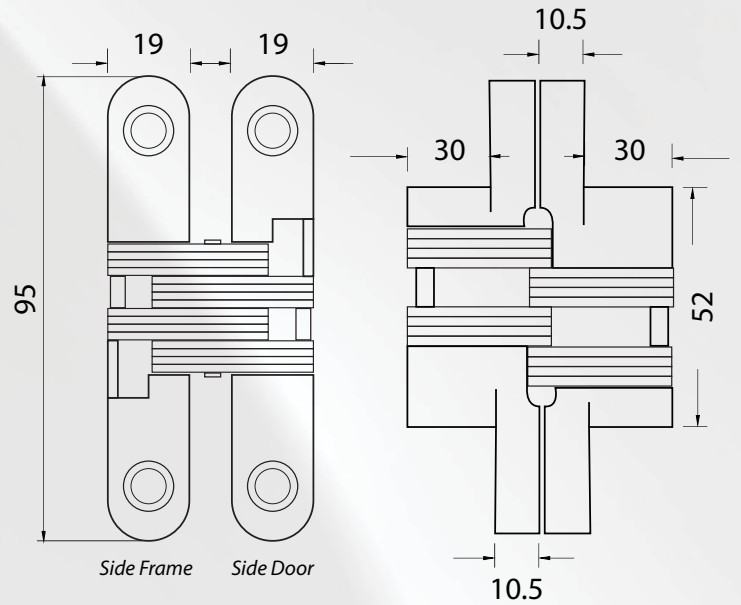
Discount  
**40%+10%**

~~Rp 750.000,-~~

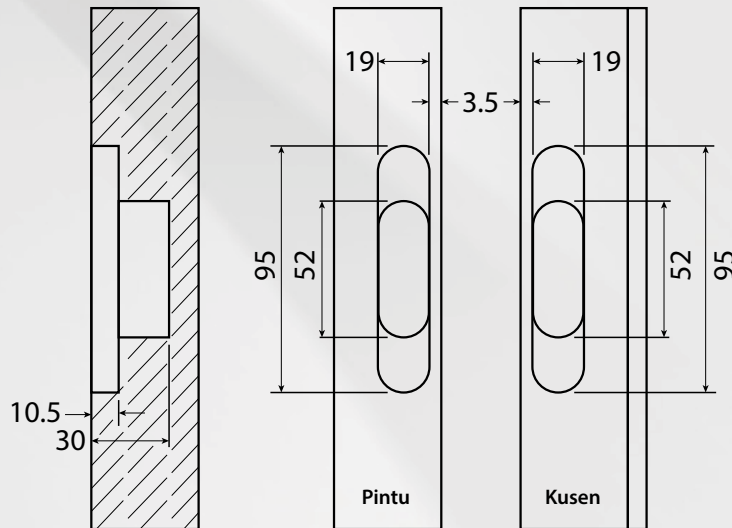
**Rp 405.000,-**

**IHP 212**  
Satin Stainless Steel

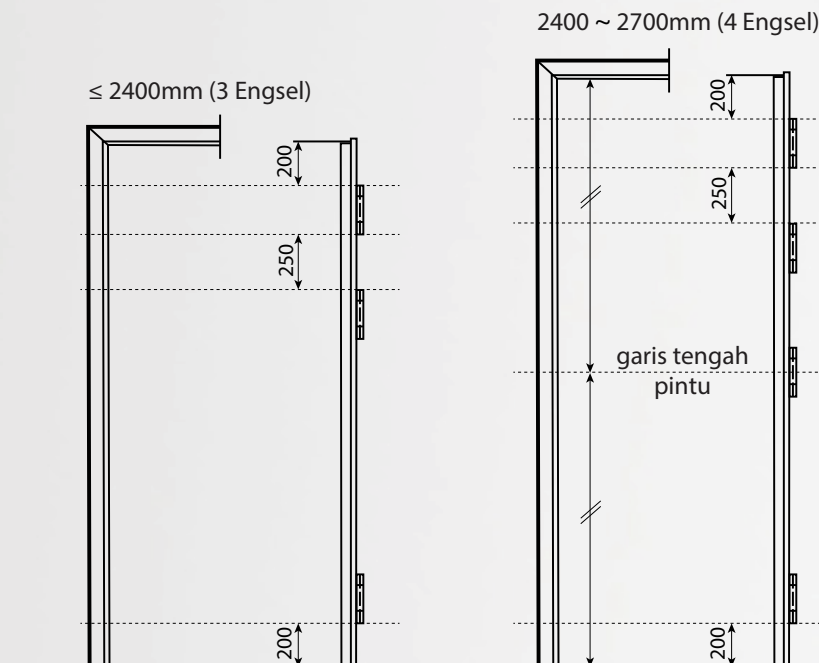
Max. Kapasitas Pintu	: 50kg / 2pcs
Max. Lebar Pintu	: 800mm
Max. Tinggi Pintu	: 2100mm / 3pcs 2400mm / 4pcs
Ketebalan Pintu	: 28mm ~ 35mm



### Gambar Bobokan Invisible Hinge (mm)



Pengaplikasian berdasarkan tinggi pintu:



Engsel ke 3 menambah 25% berat kapasitas 2 engsel.  
Engsel ke 4 menambah 20% dari total kapasitas 2 engsel.

Contoh:  
Penggunaan engsel 50kg per pair  
2 engsel: 50kg  
3 engsel: 50kg + 12kg = 62kg  
4 engsel: 50kg + 12kg + 10kg = 72kg

More info please contact:

info@palomahardware.com

Phone: 021 2246 7660, WA: 0812 1000 989





# PALOMA®

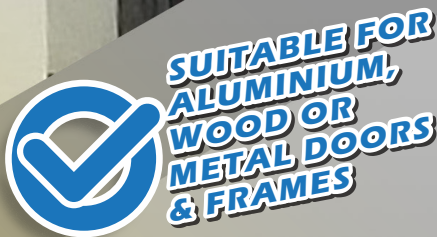
EXCELLENT ARCHITECTURAL HARDWARE



## HIGH QUALITY DOOR CLOSER 992-CONCEALED



DCP 512  
Matte Black



High Grade  
Solid Aluminium



High Quality  
Hydraulic Oil



Anti Rust &  
Corrosion



Strong Precise  
Construction



Sliding Arm  
Mechanism



Heavy  
Duty

Discount

40%+20%

~~Rp 2.350.000,-~~

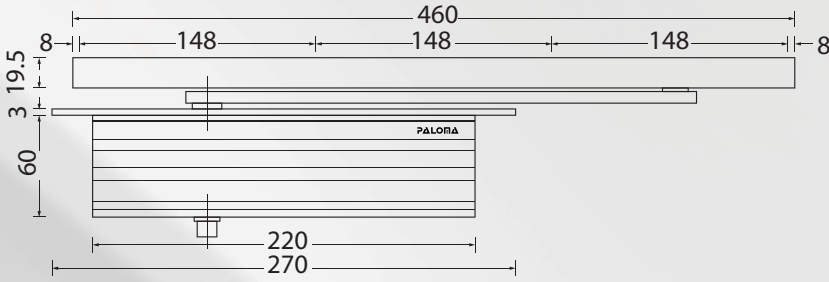
**Rp 1.128.000,-**

Max Door Weight: 70kg

Max Door Width: 900mm

Min Door Thickness : 45mm

Available:



DCP 511  
Natural Anodized

DCP 512  
Matte Black



High Quality Hydraulic Oil

Adjustable Closing & Latching Speed



**Adjustable Telescopic Arm**  
Easy adjustable to help with the hassle-free installation and smooth transition of opening/closure.

High Grade Solid Aluminium Body



**Left and Right Handed Operation**  
Design to work with left opening/closing and right opening/closing doors.

More info please contact:

[info@palomahardware.com](mailto:info@palomahardware.com)

Phone: 021 2246 7660, WA: 0812 1000 989

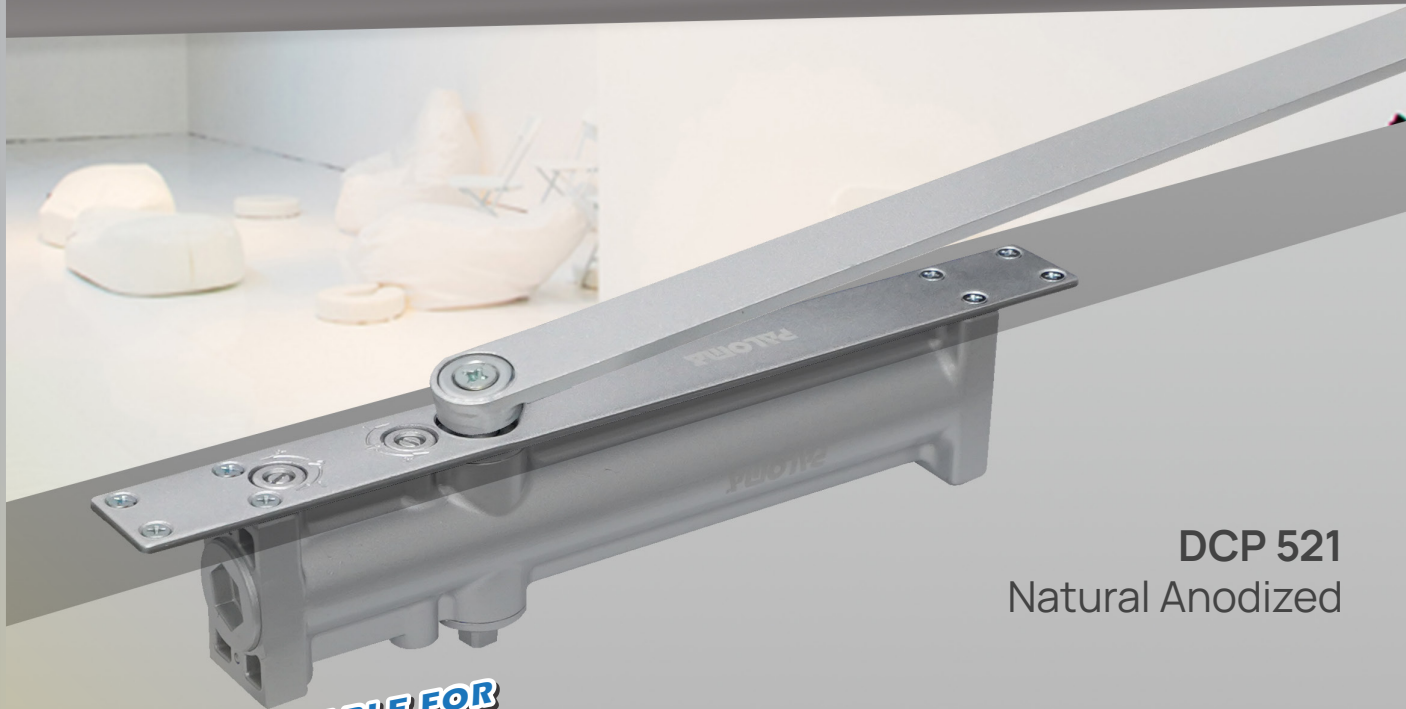


# PALOMA®

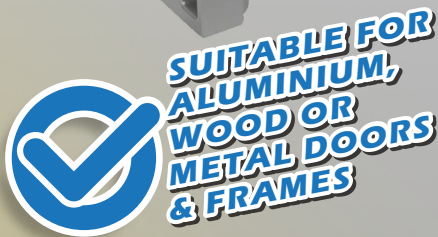
EXCELLENT ARCHITECTURAL HARDWARE



## HIGH QUALITY DOOR CLOSER 935-CONCEALED



DCP 521  
Natural Anodized



High Grade  
Solid Aluminium



High Quality  
Hydraulic Oil



Anti Rust &  
Corrosion



Strong Precise  
Construction



Sliding Arm  
Mechanism



Heavy  
Duty

Discount

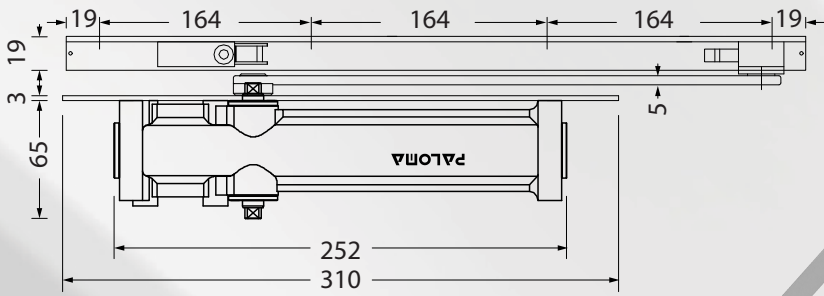
**40% + 20%**

~~Rp 2.300.000,-~~

**Rp 1.104.000,-**

Max Door Weight: 90kg  
Max Door Width: 1000mm  
Min Door Thickness : 40mm

Available:



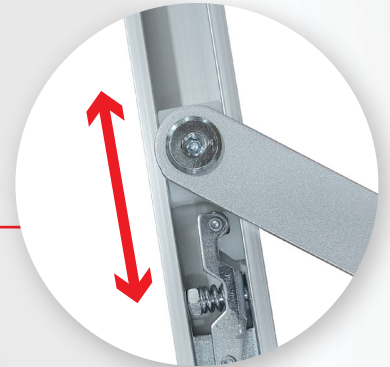
DCP 521  
Natural Anodized

DCP 522  
Matte Black



High Quality Hydraulic Oil

Adjustable Closing & Latching Speed



**Adjustable Telescopic Arm**  
Easy adjustable to help with the hassle-free installation and smooth transition of opening/closure.

High Grade Solid Aluminium Body



**Left and Right Handed Operation**  
Design to work with left opening/closing and right opening/closing doors.

More info please contact:

[info@palomahardware.com](mailto:info@palomahardware.com)

Phone: 021 2246 7660, WA: 0812 1000 989

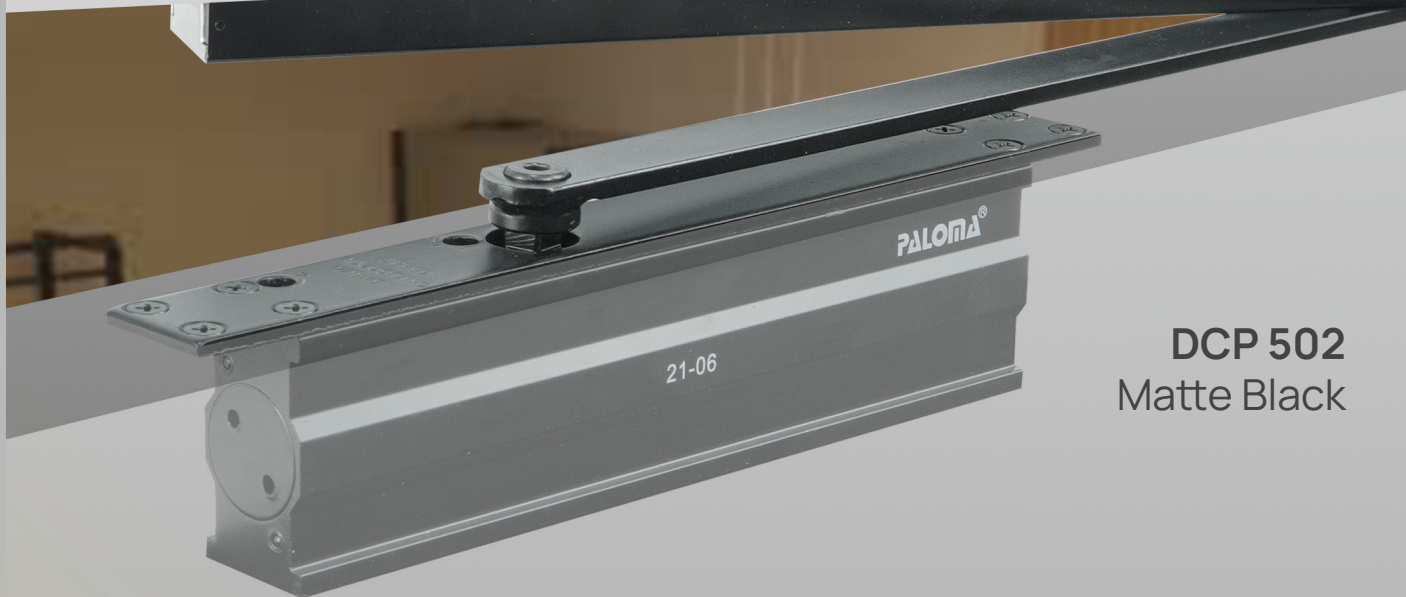


# PALOMA®

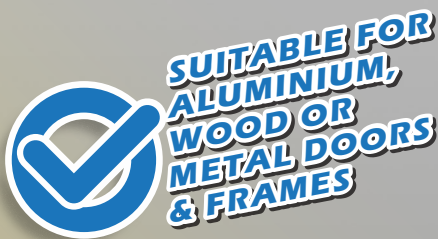
EXCELLENT ARCHITECTURAL HARDWARE



## HIGH QUALITY DOOR CLOSER 993-CONCEALED



DCP 502  
Matte Black



Discount

**40%+20%**

~~Rp 2.150.000,-~~

**Rp 1.032.000,-**



High Grade  
Solid Aluminium



High Quality  
Hydraulic Oil



Anti Rust &  
Corrosion



Strong Precise  
Construction



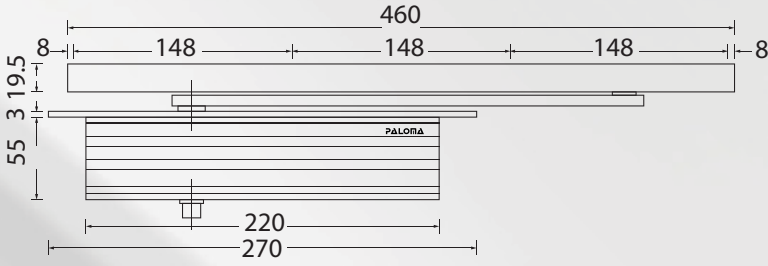
Sliding Arm  
Mechanism



Heavy  
Duty

Max Door Weight: 50kg  
Max Door Width: 800mm  
Min Door Thickness : 40mm

Available:



DCP 501  
Natural Anodized

DCP 502  
Matte Black



High Quality Hydraulic Oil

Adjustable Closing & Latching Speed

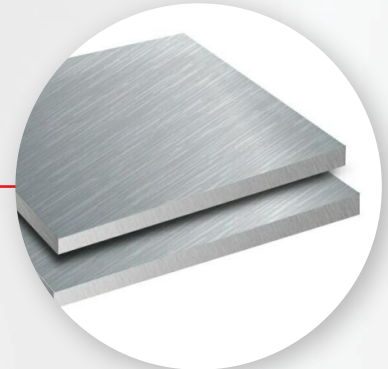


**Left and Right Handed Operation**  
Design to work with left opening/closing and right opening/closing doors.



**Adjustable Telescopic Arm**  
Easy adjustable to help with the hassle-free installation and smooth transition of opening/closure.

High Grade Solid Aluminium Body



More info please contact:

[info@palomahardware.com](mailto:info@palomahardware.com)

Phone: 021 2246 7660, WA: 0812 1000 989



# PALOMA®

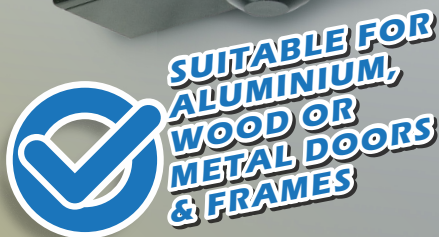
EXCELLENT ARCHITECTURAL HARDWARE



## HIGH QUALITY DOOR CLOSER 925-SLIDING ARM



DCP 412  
Matte Black



High Grade  
Solid Aluminium



High Quality  
Hydraulic Oil



Anti Rust &  
Corrosion



Strong Precise  
Construction



Sliding Arm  
Mechanism



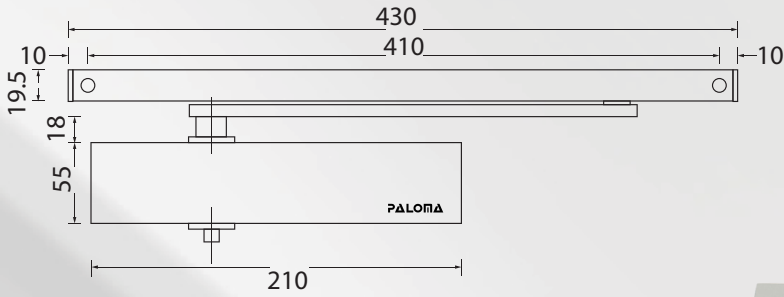
Heavy  
Duty

Discount  
**40%+20%**

~~Rp 2.000.000,-~~

**Rp 960.000,-**

Max Door Weight: 60kg  
Max Door Width: 900mm



Available:

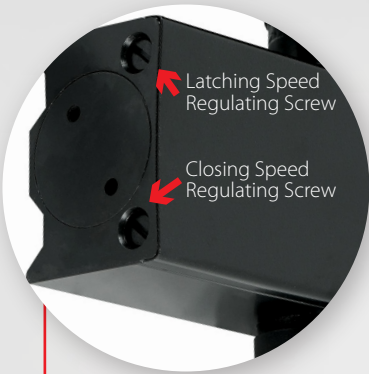


**DCP 411**  
Natural Anodized



**DCP 412**  
Matte Black

### Adjustable Closing & Latching Speed

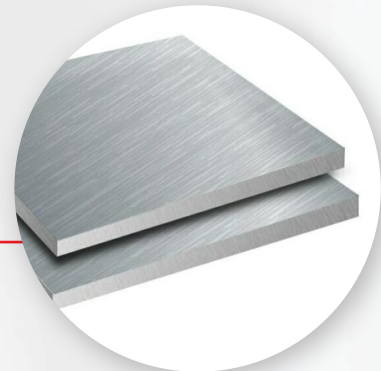


High Quality Hydraulic Oil

**Adjustable Telescopic Arm**  
Easy adjustable to help with the hassle-free installation and smooth transition of opening/ closure.



High Grade Solid Aluminium Body



**Left and Right Handed Operation**  
Design to work with left opening/closing and right opening/closing doors.

More info please contact:

[info@palomahardware.com](mailto:info@palomahardware.com)



Phone: 021 2246 7660, WA: 0812 1000 989





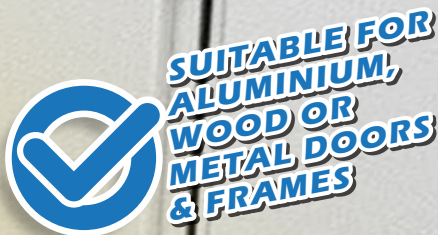
# PALOMA®

EXCELLENT ARCHITECTURAL HARDWARE



## HIGH QUALITY DOOR CLOSER 956-NHO

DCP 302  
Matte Black



Discount  
**40% + 20%**

~~Rp 1.550.000,-~~

**Rp 744.000,-**



High Grade  
Solid Aluminium



Anti Rust &  
Corrosion



High Quality  
Hydraulic Oil



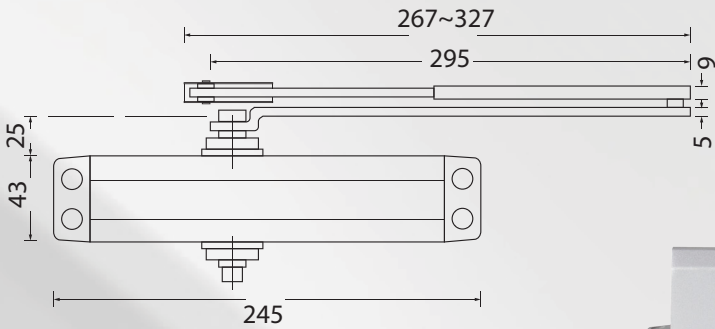
Strong Precise  
Construction



Heavy  
Duty

Max Door Weight: 100kg  
Max Door Width: 1000mm

Available:



**DCP 301**  
Natural Anodized

**DCP 302**  
Matte Black

**High Grade Solid Aluminium Body**



**High Quality Hydraulic Oil**

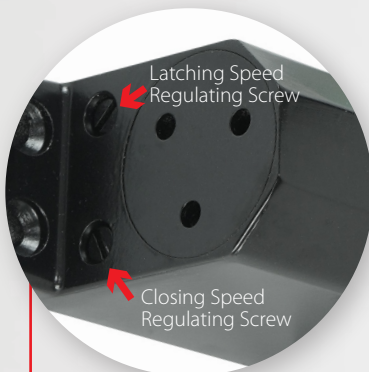
**Rotating Control Shaft**

Super strength aluminium control shaft for smooth opening and closing.

**Adjustable Telescopic Arm**

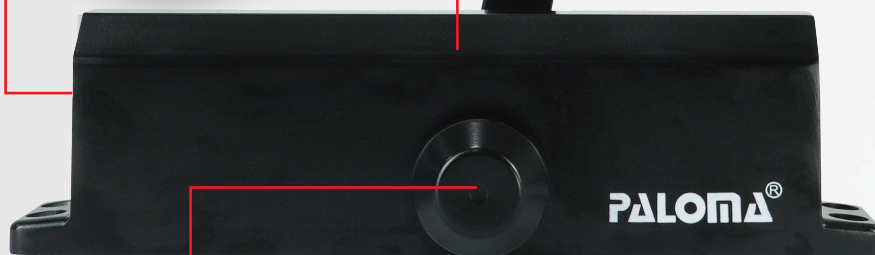
Easy adjustable to help with the hassle-free installation and smooth transition of opening/closure.

**Adjustable Closing & Latching Speed**



**Secure Nail Joint**

Strong construction keeps the closer in place for control, stability, and safety.



**Left and Right Handed Operation**

Design to work with left opening/closing and right opening/closing doors.

More info please contact:

[info@palomahardware.com](mailto:info@palomahardware.com)

Phone: 021 2246 7660, WA: 0812 1000 989



# PALOMA®

EXCELLENT ARCHITECTURAL HARDWARE



## HIGH QUALITY DOOR CLOSER 925-NHO

DCP 402  
Matte Black



Discount  
**40%+20%**

~~Rp 1.800.000,-~~

**Rp 864.000,-**



High Grade  
Solid Aluminium



Anti Rust &  
Corrosion



High Quality  
Hydraulic Oil



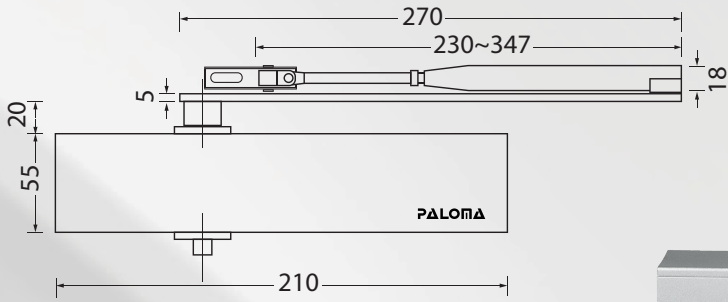
Strong Precise  
Construction



Heavy  
Duty

Door Weight: 40-100kg  
Max Door Width: 1000mm

Available:



**DCP 401**  
Natural Anodized

**DCP 402**  
Matte Black

High Grade Solid Aluminium Body



High Quality Hydraulic Oil

Rotating Control Shaft

Super strength aluminium control shaft for smooth opening and closing.



Adjustable Closing & Latching Speed



Latching Speed  
Regulating Screw

Closing Speed  
Regulating Screw

Adjustable Telescopic Arm

Easy adjustable to help with the hassle-free installation and smooth transition of opening/closure.

Secure Nail Joint

Strong construction keeps the closer in place for control, stability, and safety.



Left and Right Handed Operation

Design to work with left opening/closing and right opening/closing doors.

More info please contact:

info@palomahardware.com



Phone: 021 2246 7660, WA: 0812 1000 989



# PALOMA®

EXCELLENT ARCHITECTURAL HARDWARE



## HIGH QUALITY DOOR CLOSER 900-NHO

DCP 101  
Natural Anodized



Discount  
**40% + 20%**

~~Rp 650.000,-~~

**Rp 312.000,-**



High Grade  
Solid Aluminium



Anti Rust &  
Corrosion



High Quality  
Hydraulic Oil

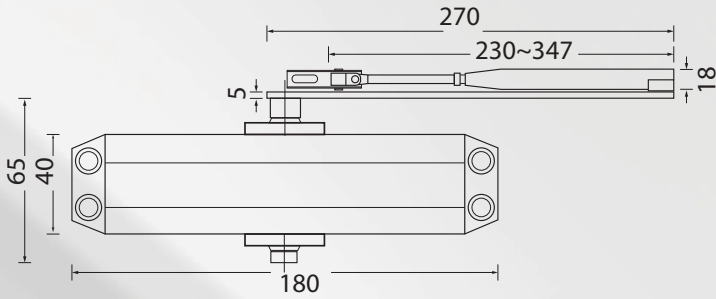


Strong Precise  
Construction



Heavy  
Duty

Max Door Weight: 40kg  
Max Door Width: 800mm



Available:



**DCP 101**  
Natural Anodized

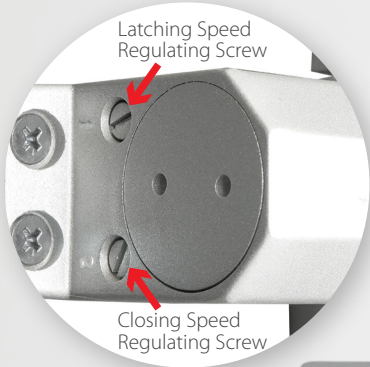
**DCP 102**  
Brown Anodized

**High Grade Solid Aluminium Body**



Hydraulic With German Oil

**Adjustable Closing & Latching Speed**



**Rotating Control Shaft**

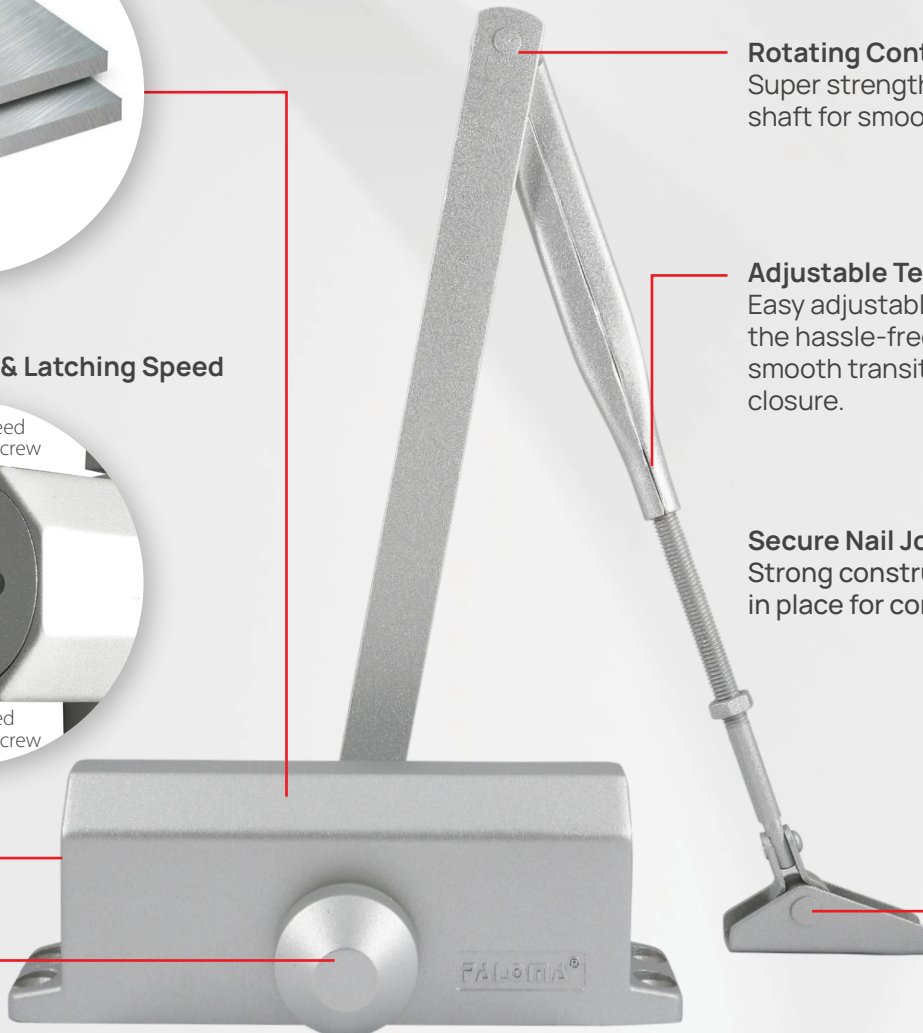
Super strength aluminium control shaft for smooth opening and closing.

**Adjustable Telescopic Arm**

Easy adjustable to help with the hassle-free installation and smooth transition of opening/closure.

**Secure Nail Joint**

Strong construction keeps the closer in place for control, stability, and safety.



**Left and Right Handed Operation**

Design to work with left opening/closing and right opening/closing doors.

More info please contact:

info@palomahardware.com



Phone: 021 2246 7660, WA: 0812 1000 989



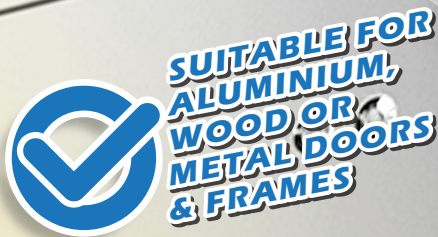
# PALOMA®

EXCELLENT ARCHITECTURAL HARDWARE



## HIGH QUALITY DOOR CLOSER 900-HO

DCP 111  
Natural Anodized



Discount  
**40%+20%**

~~Rp 700.000,-~~

**Rp 336.000,-**



High Grade  
Solid Aluminium



Anti Rust &  
Corrosion



High Quality  
Hydraulic Oil



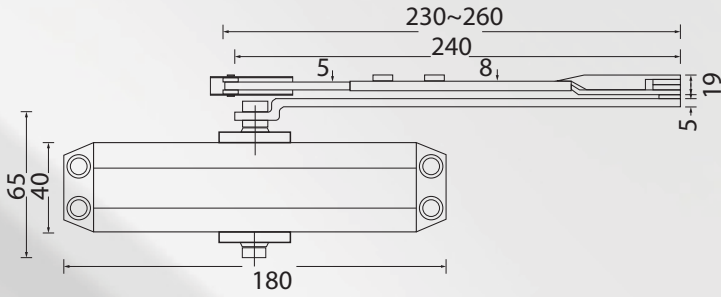
Strong Precise  
Construction



Heavy  
Duty

Max Door Weight: 40kg  
Max Door Width: 800mm

Available:



DCP 111  
Natural Anodized

DCP 112  
Brown Anodized

### High Grade Solid Aluminium Body



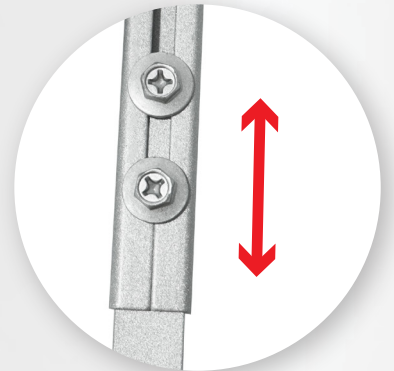
Hydraulic With German Oil

### Rotating Control Shaft

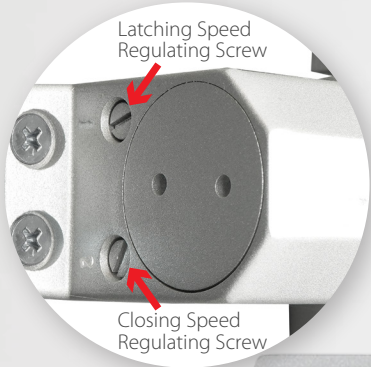
Super strength aluminium control shaft for smooth opening and closing.

### Adjustable Telescopic Arm

Easy adjustable to help with the hassle-free installation and smooth transition of opening/closure.

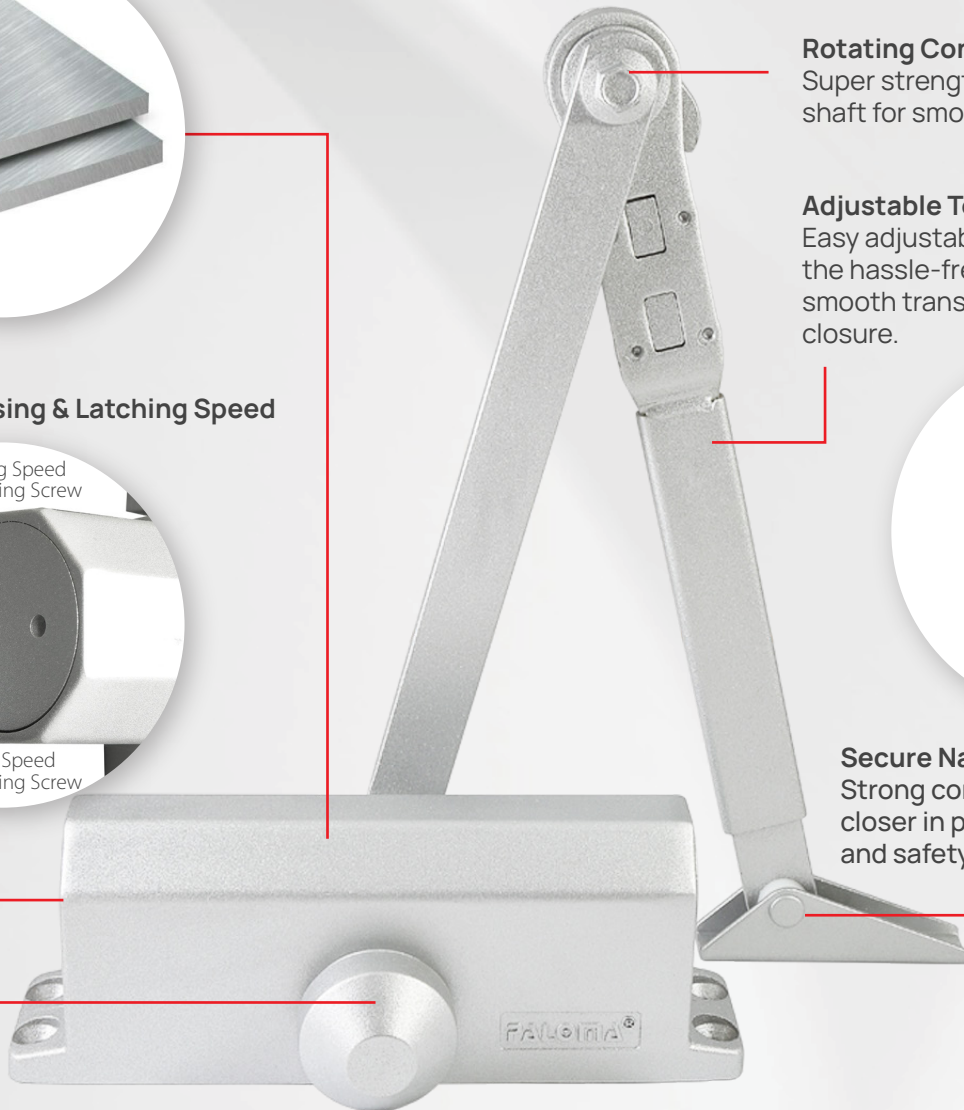


### Adjustable Closing & Latching Speed



### Secure Nail Joint

Strong construction keeps the closer in place for control, stability, and safety.



### Left and Right Handed Operation

Design to work with left opening/closing and right opening/closing doors.

More info please contact:

[info@palomahardware.com](mailto:info@palomahardware.com)

Phone: 021 2246 7660, WA: 0812 1000 989





# PALOMA®

EXCELLENT ARCHITECTURAL HARDWARE



## HIGH QUALITY PIVOT HINGE 300 HD

PVP 831

Satin Stainless Steel



Discount  
**40%+20%**

~~Rp 4.000.000,-~~

**Rp 1.920.000,-**



SS SUS 304  
+ Steel



Rust & Corrosion  
Resistant



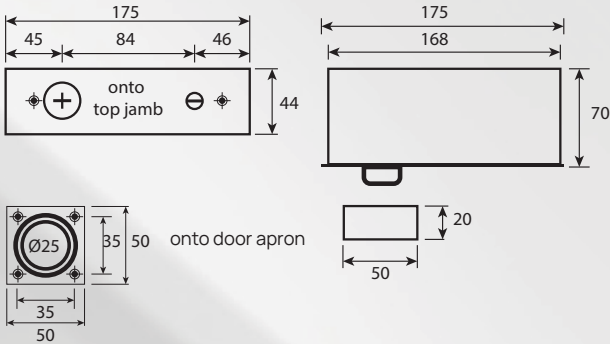
Strong Precise  
Construction



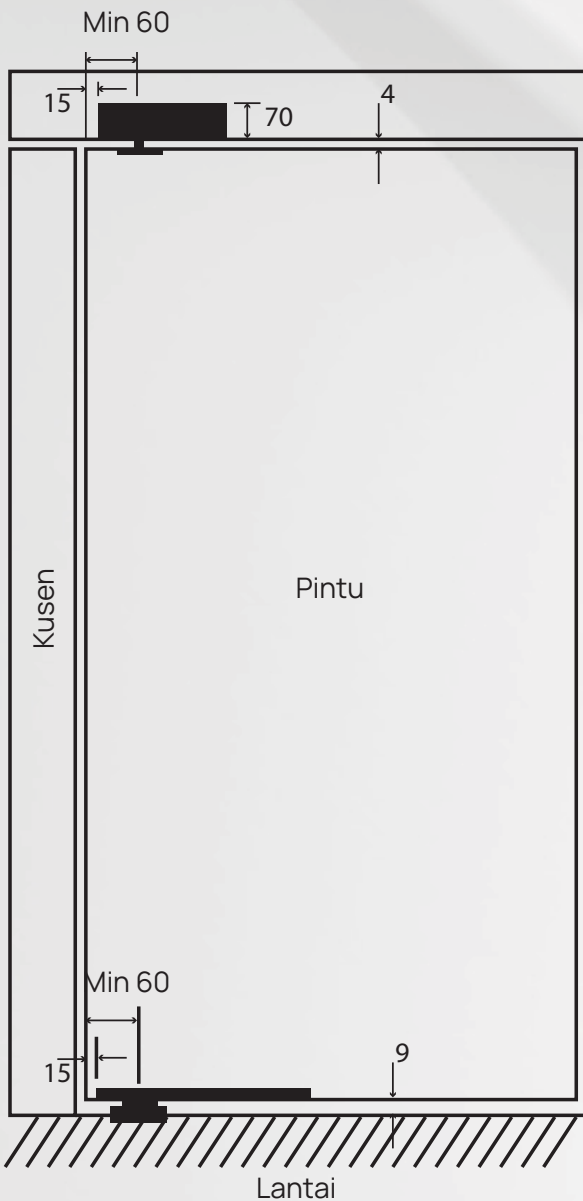
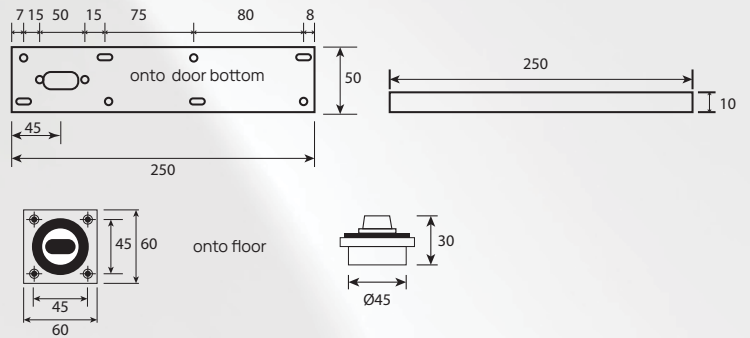
Ultra Heavy  
Duty

Max Door Weight: 300kg  
Max Door Width: 1500mm  
Min Door Thickness: 55mm

## TOP PIVOT



## BOTTOM PIVOT



Perhitungan celah pintu ke dinding:

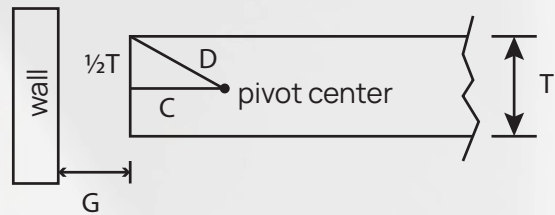
T : Door thickness

C : Pivot center to door edge  
(min 60MM)

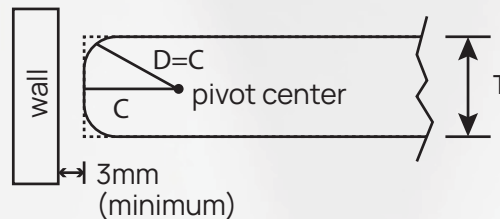
G : Door gap (wall to door)

$$D : \sqrt{(\frac{1}{2}T)^2 + C^2}$$

$$G : D - C + 3\text{MM (minimum)}$$



Catatan: Celah pintu terkecil 3mm dapat dicapai dengan pembulatan tepi pintu, sehingga  $D = C$ .



More info please contact:

info@palomahardware.com

Phone: 021 2246 7660, WA: 0812 1000 989



# PALOMA®

EXCELLENT ARCHITECTURAL HARDWARE



## HIGH QUALITY PIVOT HINGE 800 HD

PVP 881

Satin Stainless Steel



Discount  
**40%+20%**

~~Rp 11.000.000,-~~

**Rp 5.280.000,-**



SS SUS 304  
+ Steel



Rust & Corrosion  
Resistant



Strong Precise  
Construction



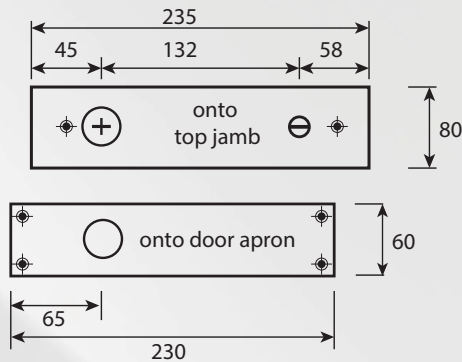
Ultra Heavy  
Duty

Max Door Weight: 800kg

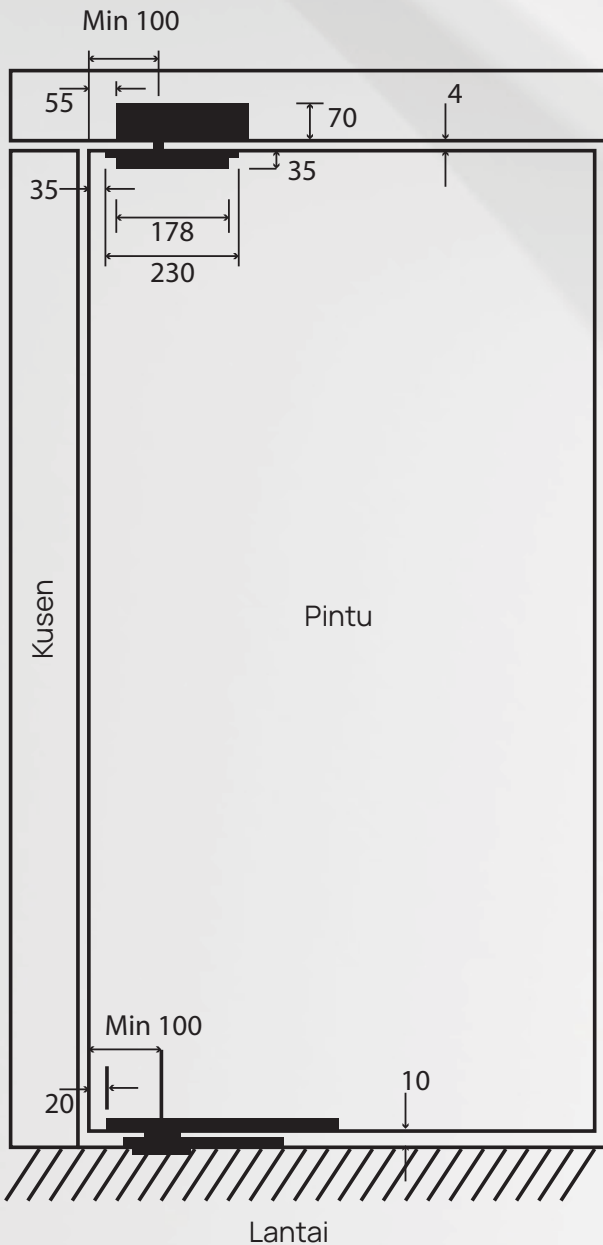
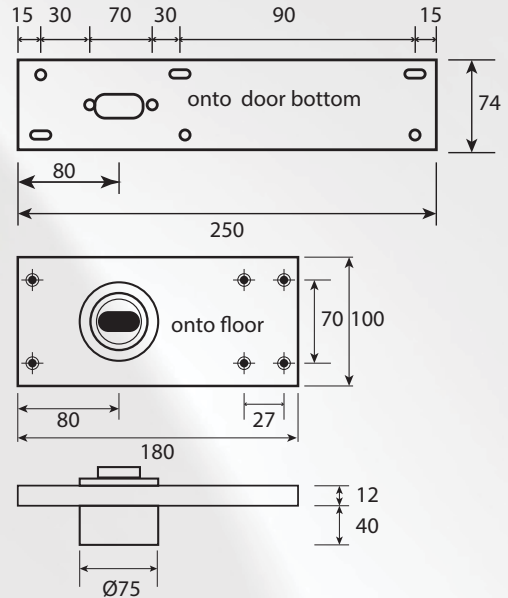
Max Door Width: 1500mm

Min Door Thickness: 80mm

## TOP PIVOT

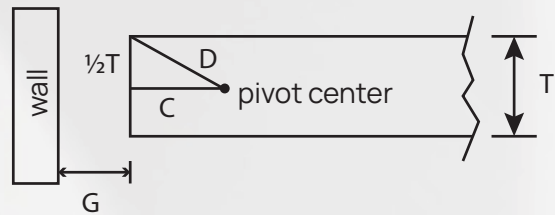


## BOTTOM PIVOT

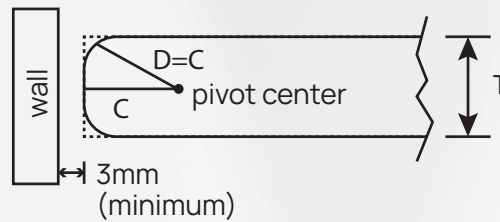


Perhitungan celah pintu ke dinding:

- T : Door thickness  
 C : Pivot center to door edge  
 (min 60MM)  
 G : Door gap (wall to door)
- D :  $\sqrt{(\frac{1}{2}T)^2 + C^2}$   
 G : D - C + 3MM (minimum)



Catatan: Celah pintu terkecil 3mm dapat dicapai dengan pembulatan tepi pintu, sehingga D = C.



More info please contact:

info@palomahardware.com

Phone: 021 2246 7660, WA: 0812 1000 989



# PALOMA®

EXCELLENT ARCHITECTURAL HARDWARE



## HIGH QUALITY PIVOT HINGE 9985 HYDRAULIC



PVP 901  
Natural Anodized  
+ Satin Stainless Steel



Discount  
**40%**

~~Rp 1.600.000,-~~

**Rp 960.000,-**



Aluminium +  
SS SUS 304



Rust & Corrosion  
Resistant



Hydraulic  
System

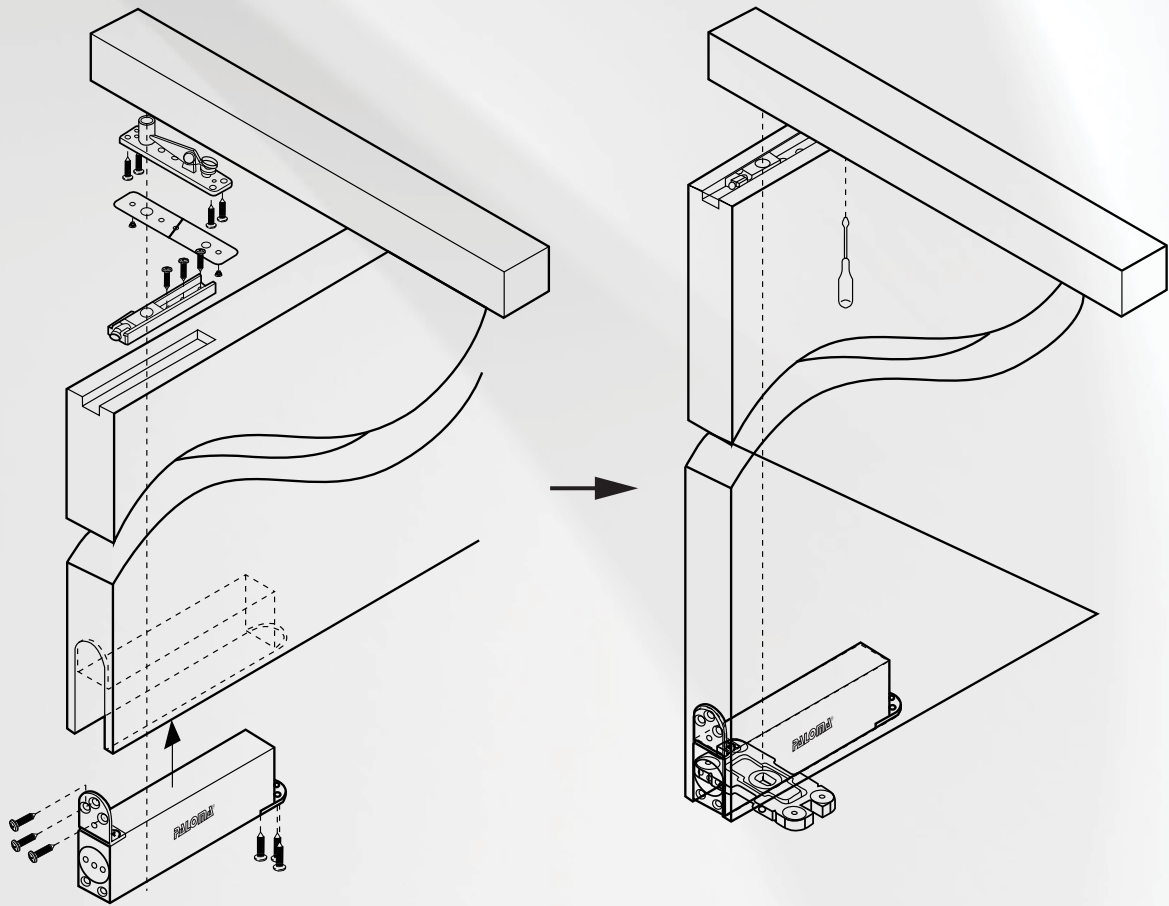
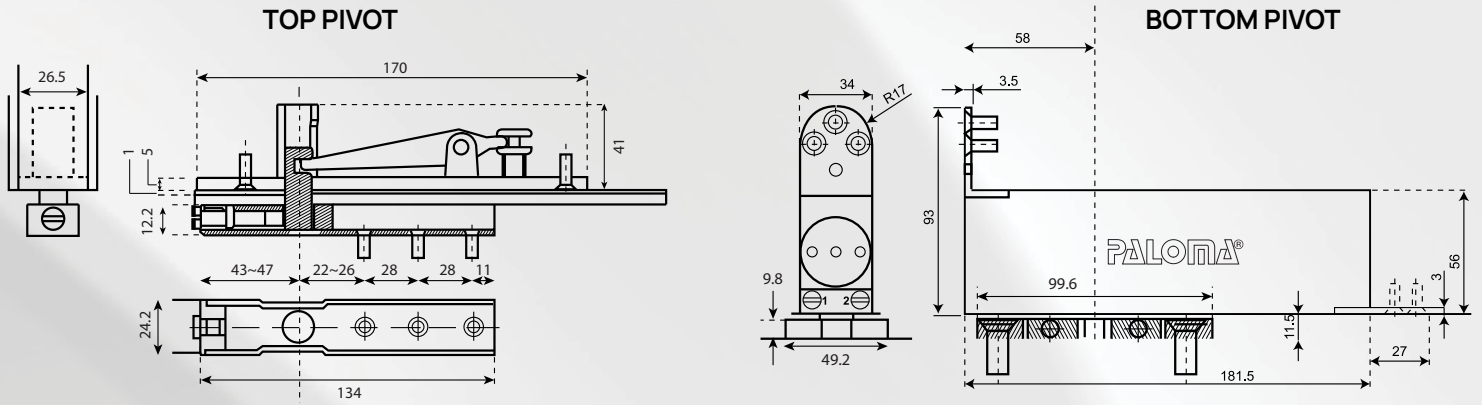


Strong Precise  
Construction

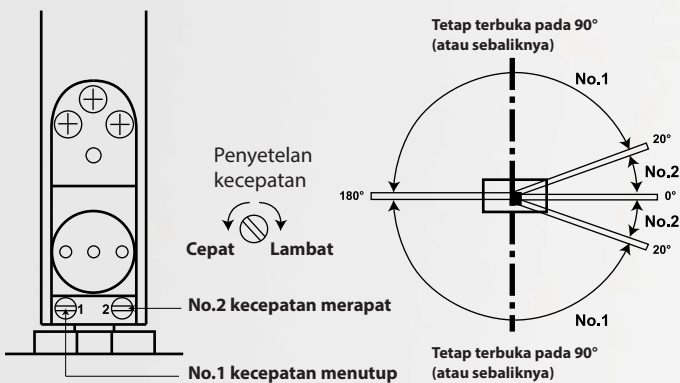


Heavy  
Duty

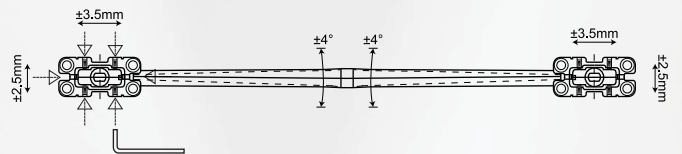
Max Door Weight: 85kg  
Min-Max Door Width: 800-950mm  
Min Door Thickness: 45mm



### Cara Penyetelan Kecepatan Buka-Tutup Pintu



### Penyesuaian Pintu



More info please contact:

info@palomahardware.com

Phone: 021 2246 7660, WA: 0812 1000 989



# PALOMA<sup>®</sup>

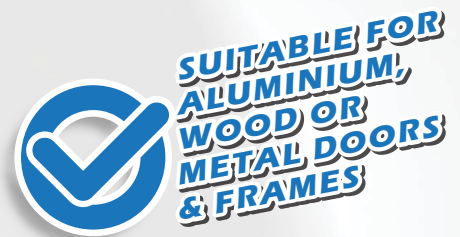
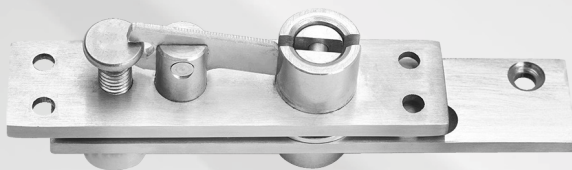
EXCELLENT ARCHITECTURAL HARDWARE



## HIGH QUALITY PIVOT HINGE 005

PVP 501

Satin Stainless Steel



Discount  
**40%+20%**

~~Rp 1.050.000,-~~

**Rp 504.000,-**



Stainless Steel  
SUS 304 Material



Rust & Corrosion  
Resistant



Strong Precise  
Construction



Heavy  
Duty

Max Door Weight: 250kg

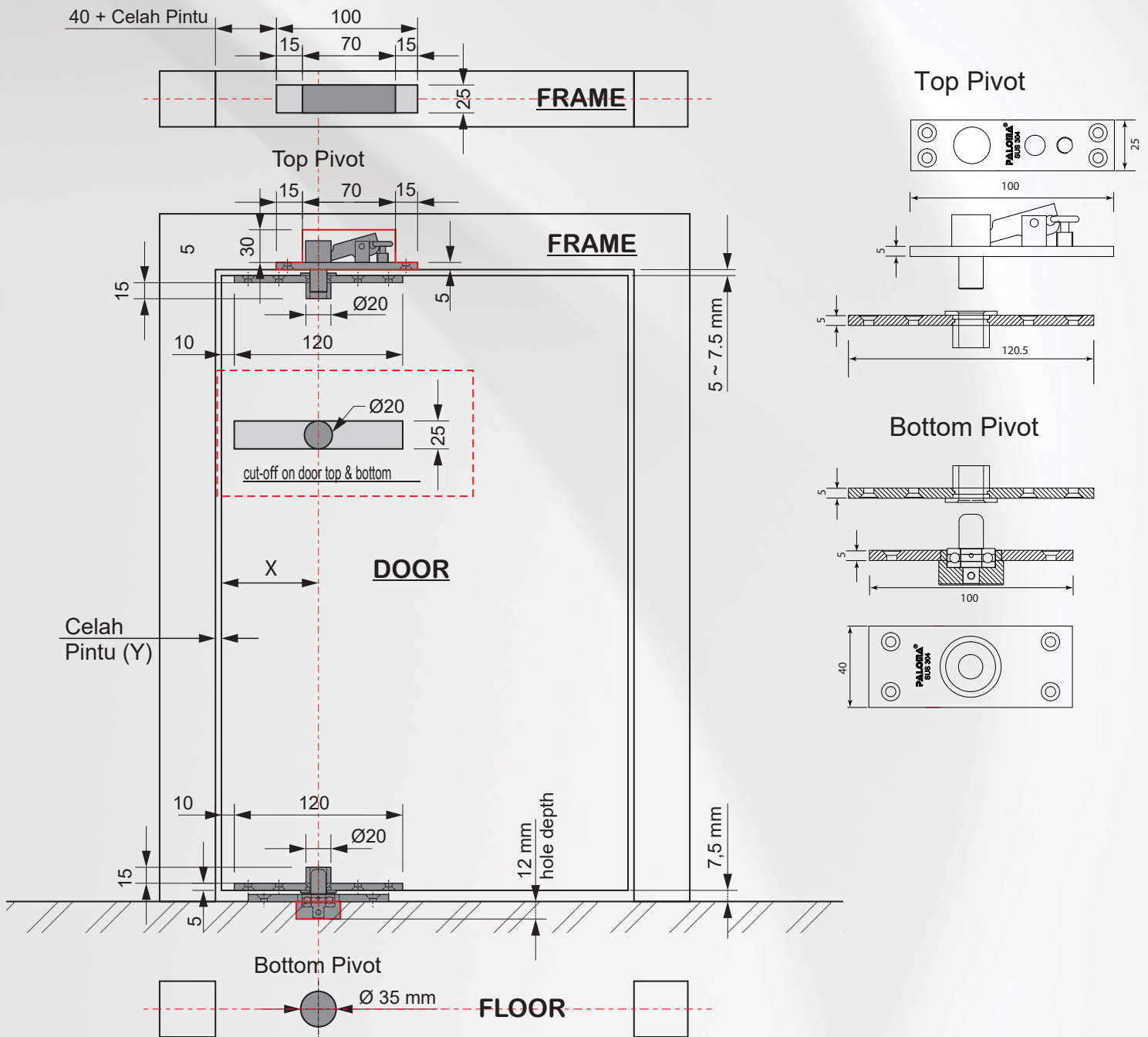
Max Door Width: 1100mm

Min Door Thickness: 40mm

	Tebal Pintu (mm)				Berat Pintu (maksimal)	Lebar Pintu (maksimal)	Jarak As (X) minimal
	40	50	60	70			
Celah Pintu (Y) Minimal Sisi Engsel (mm)	4	6	8	10	250 kg	1100 mm	70 mm

\* Jika Lebar Pintu 1200 ~ 1400, maka Jarak As (X) minimal = 200 mm

\* Jika Lebar Pintu 1500 ~ 1800, maka Jarak As (X) minimal = 300 mm



More info please contact:

info@palomahardware.com



Phone: 021 2246 7660, WA: 0812 1000 989





# PALOMA®

EXCELLENT ARCHITECTURAL HARDWARE



SUITABLE FOR  
ALUMINIUM,  
WOOD OR  
METAL DOORS  
& FRAMES

## HIGH QUALITY PIVOT HINGE 006

PVP 601 (Right)  
Satin Stainless Steel



PVP 602 (Left)  
Satin Stainless Steel



Discount  
**40%**

~~Rp 850.000,-~~

**Rp 510.000,-**



SS SUS 304  
+ Iron Material



Strong Precise  
Construction



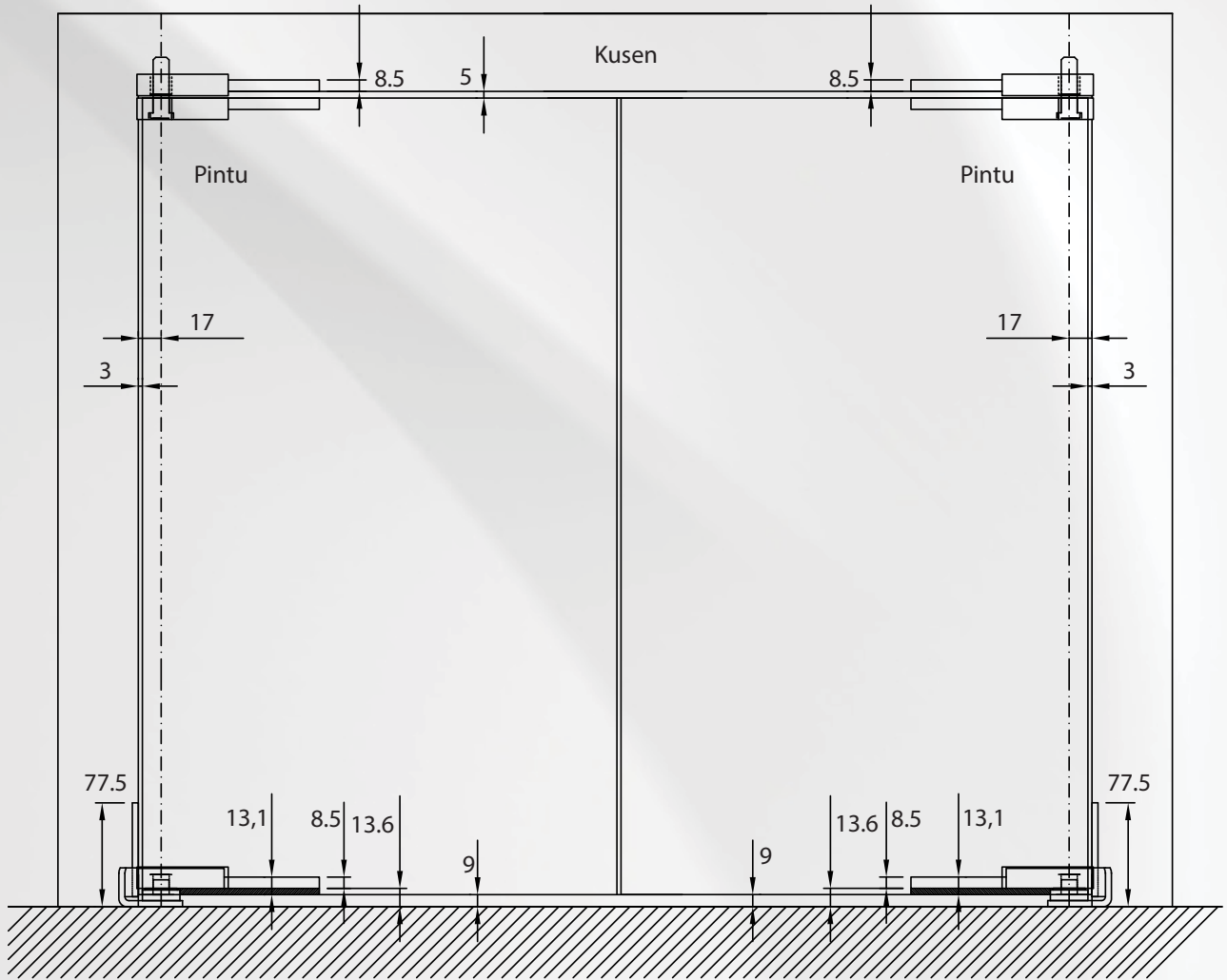
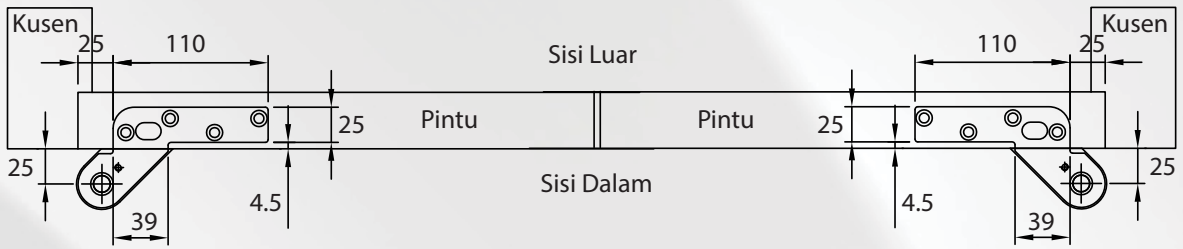
Rust & Corrosion  
Resistant



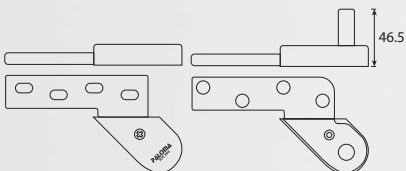
Heavy  
Duty

Max Door Weight: 120kg  
Max Door Width: 120mm  
Min Door Thickness: 30mm

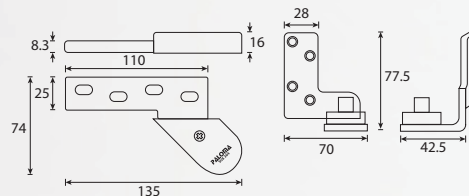
**Pemasangan Pivot pada Dua Pintu (Kanan-Kiri)**



Top



Bottom



More info please contact:

[info@palomahardware.com](mailto:info@palomahardware.com)

Phone: 021 2246 7660, WA: 0812 1000 989



# PALOMA®

EXCELLENT ARCHITECTURAL HARDWARE



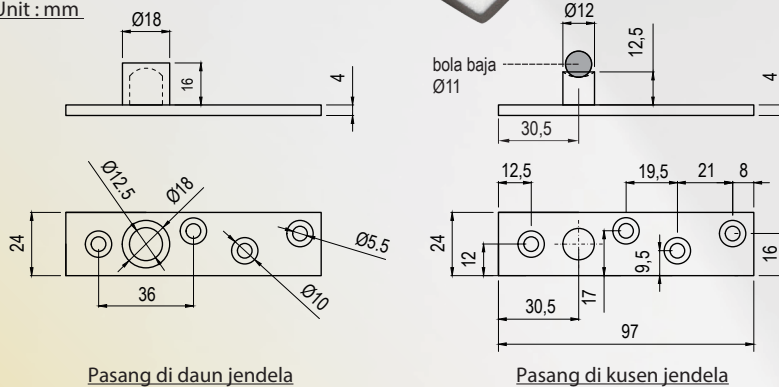
SUITABLE FOR  
ALUMINIUM,  
WOOD OR  
METAL WINDOW

## HIGH QUALITY PIVOT HINGE 001

PVP 101  
Satin Stainless Steel



Unit : mm



Pasang di daun jendela

Pasang di kusen jendela



Stainless Steel  
SUS 304 Material



Rust & Corrosion  
Resistant



Strong Precise  
Construction



Heavy  
Duty

Discount  
**40%**

~~Rp 550.000,-~~

**Rp 330.000,-**

Max Window Weight: 50kg  
Min Window Thickness: 30mm

# PALOMA®

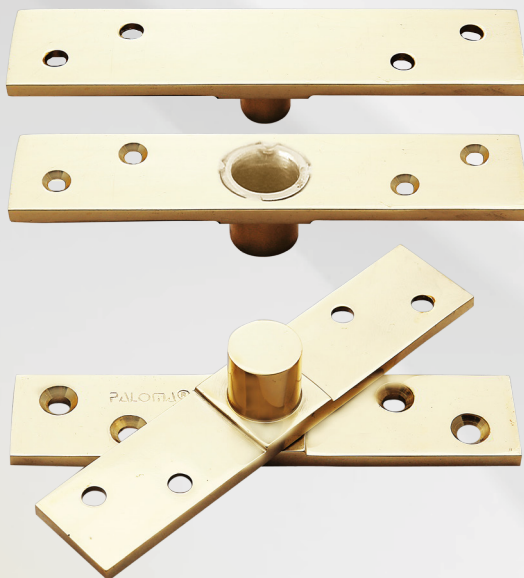
EXCELLENT ARCHITECTURAL HARDWARE



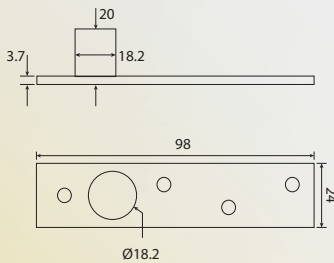
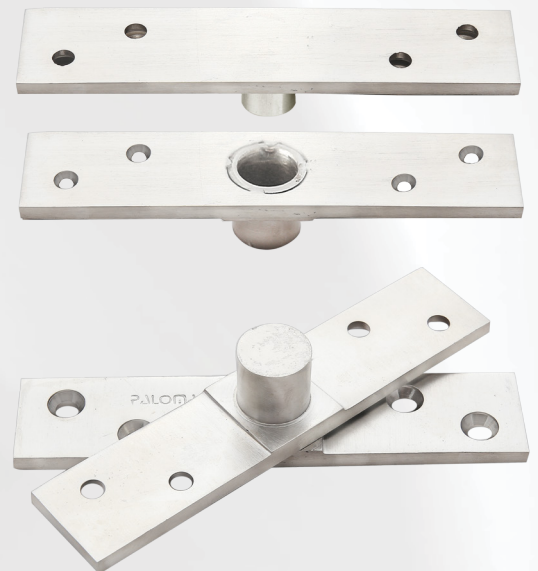
SUITABLE FOR  
ALUMINIUM,  
WOOD OR  
METAL WINDOW

## HIGH QUALITY PIVOT HINGE 002

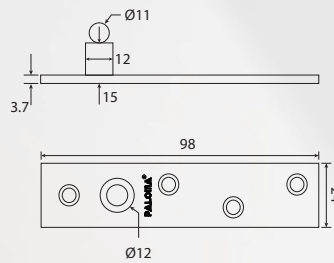
PVP 201  
Polished Brass



PVP 202  
Satin Nickel



Pasang di daun jendela



Pasang di kusen jendela

- High Grade Brass Material
- Anti-Rust & Anti-Corrosion
- Strong Precise Construction
- Heavy Duty

Discount  
**40%**

~~Rp 250.000,-~~

**Rp 150.000,-**

Max Window Weight: 45kg  
Min Window Thickness: 30mm



